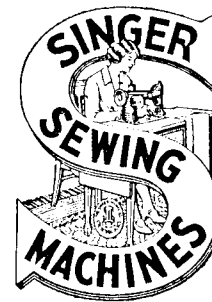


Form 2196w  
April, 1932  
PRINTED IN U. S. A.

# LIST OF PARTS



From the library of: Diamond Needle Corp

## MACHINE No. 71-142

---

THE SINGER MANUFACTURING COMPANY

COPYRIGHT, U. S. A.,  
1916, 1923, 1925, 1929, AND 1932  
BY THE SINGER MANUFACTURING COMPANY  
ALL RIGHTS RESERVED FOR ALL COUNTRIES

## INDEX

---

|                               | PAGE |
|-------------------------------|------|
| ACCESSORIES .....             | 24   |
| BOBBIN WINDER .....           | 25   |
| IRON BASE .....               | 25   |
| KNIFE GRINDER .....           | 28   |
| MACHINE NO. 71-142 .....      | 7    |
| MISCELLANEOUS PARTS .....     | 29   |
| NUMERICAL LIST OF PARTS ..... | 31   |
| TABLE BELT GUIDES .....       | 26   |
| THREAD UNWINDER .....         | 26   |
| TREADLE .....                 | 27   |

From the library of: Diamond Needle Corp



## Parts for Machine No. 71-142

| No.     | Plate | Name  |
|---------|-------|---|
| 350292D | 14985 | Arm Shaft Screw .....   |
| 39620   | 14984 | " Side Cover .....  |
| 190D    | 14985 | " " " Screw .....   |
| 249604  | 14983 | " Top Cover (left) .....  |
| 249605  | 14983 | " " " (right) .....   |
| 190D    | 14985 | " " " Screw (4) .....   |
| 249606  | 14984 | Barring Lever .....   |
| 1478C   | 14982 | " " Hinge Screw .....   |
| 249607  | 14982 | " " Spring .....  |
| 1330C   | 14982 | " " " Screw Stud ..   |
| 249608  | 15017 | " Plate (1st bar) .....   |
| 249801  | 15017 | " " (2nd bar) .....   |
| 350229E | 14982 | " " Screw (2) .....   |
| 249610  | 14982 | " Point .....   |
| 191C    | 14982 | " " Screw .....   |
| 249611  | 14982 | " Shaft with 452c .....   |
| 201713C | 14982 | " " Adjusting Lock Nut (2)                                      |
| 249612  | 14982 | " " Guard .....   |
| 208D    | 4008  | " " " Screw (2) .....   |
| 249613  | 14982 | " Slide .....   |
| 249740  | 14982 | " " Operating Plate (ad-<br>justable) .....                     |
| 223D    | 4008  | Barring Slide Operating Plate (ad-<br>justable) Screw (2) ..... |
| 350253C | 14982 | Barring Slide Operating Plate Ad-<br>justing Screw .....        |
| 1607E   | 14982 | Barring Slide Operating Plate Ad-<br>justing Screw Nut .....    |
| 249614  | 14982 | Barring Slide Operating Plate (sta-<br>tionary) .....           |
| 228D    | 14982 | Barring Slide Operating Plate (sta-<br>tionary) Screw (2) ..... |
| 249615  | 14982 | Barring Slide Operating Rod .....                               |
| 249616  | 14982 | " " " " Stud .....  |
| 249619  | 14982 | " " Stop .....  |
| 704E    | 14982 | " " " Attaching Screw .....                                     |
| 704E    | 14982 | " " " Screw (adjust-<br>able) .....                             |
| 452C    | 4025  | Barring Slide Stop Screw (adjust-<br>able) Set Screw .....      |
| *249620 | ---   | Bed .....   |
| 249814  | 15019 | " Oil Guard with 249883 .....                                   |
| 249883  | 14985 | " " " Oil Tube (brass) ....                                     |
| 1235F   | 4009  | " " " Screw (2) .....   |
| 249853  | 14985 | Belt Shifter with 350287c .....                                 |
| 249854  | 14985 | " " Operating Collar with<br>350287c .....                      |
| 350287C | 14985 | Belt Shifter Operating Collar Set<br>Screw .....                |

## Parts for Machine No. 71-142

| No.     | Plate | Name  |
|---------|-------|---|
| 249855  | 14985 | Belt Shifter Operating Rod .....                            |
| 350287C | 14985 | " " " " Set<br>Screw .....                                  |
| 350287C | 14985 | Belt Shifter Set Screw .....                                |
| 249856  | 14984 | " " Shaft .....   |
| 249857  | 14984 | " " " Bracket .....   |
| 350288C | 14985 | " " " " Hinge Screw .....                                   |
| 249858  | 14984 | " " " " Extension<br>with 51047E .....                      |
| 51047E  | 14985 | Belt Shifter Shaft Bracket Exten-<br>sion Pinch Screw ..... |
| 158E    | 4024  | Belt Shifter Shaft Bracket Exten-<br>sion Screw (2) .....   |
| 249859  | 14985 | Belt Shifter Shaft Bracket Spring .....                     |
| 1226E   | 14985 | " " " " "<br>Screw Stud .....                               |
| 249860  | 14985 | Belt Shifter Shaft Bracket Stop .....                       |
| 249655  | 15019 | " " " " "<br>Plate .....                                    |
| 178D    | 15017 | Belt Shifter Shaft Bracket Stop<br>Plate Screw (2) .....    |
| 191C    | 14982 | Belt Shifter Shaft Bracket Stop<br>Screw .....              |
| 249861  | 14985 | Belt Shifter Shaft Guide Collar with<br>237F .....          |
| 2269    | 14978 | Belt Shifter Shaft Guide Collar Posi-<br>tion Pin .....     |
| 237F    | 4066  | Belt Shifter Shaft Guide Collar Set<br>Screw .....          |
| 249862  | 14985 | Belt Shifter Shaft Spring .....                             |
| 249863  | 14985 | " " Trip Point .....  |
| 756E    | 14985 | " " " " Screw .....   |
| 249864  | 14985 | " " " Stud .....  |
| 161D    | 14985 | Bobbin Winder Base Screw (2) ...                            |
| 39647Y  | 4066  | Clamp Arm .....   |
| 625F    | 4009  | " " Adjusting Screw (2) ..                                  |
| 1547J   | 4009  | " " " " Nut (2)   |
| 39584Y  | 14984 | " " Bracket with 196F .....                                 |
| 40003Y  | 14987 | " " " Guide (left) ....                                     |
| 219F    | 4009  | " " " " " Screw<br>(2) .....                                |
| 40004Y  | 14987 | Clamp Arm Bracket Guide (right)                             |
| 217F    | 4025  | " " " " "<br>Screw (2) .....                                |
| 191C    | 14982 | Clamp Arm Bracket Screw (3) ....                            |
| 39541   | 14987 | " " " " Washer (3)  |
| 23379Y  | 4007  | " " Hinge Block .....                                       |
| 23380   | 4007  | " " " " Pin .....   |

## Parts for Machine No. 71-142

| No.     | Plate | Name  |
|---------|-------|---|
| 196F    | 4007  | Clamp Arm Hinge Block Pin Set<br>Screw .....                      |
| 402D    | 4007  | Clamp Arm Screw (3) .....   |
| 39954   | 14984 | " Carrier .....   |
| 40006   | 14987 | " " Block with 40007 and<br>four 404D .....                       |
| 40007   | 14987 | Clamp Carrier Block Plate .....                                   |
| 404D    | 4007  | " " " " Screw ..  |
| 23384   | 4007  | " " Connecting Rod .....  |
| 52C     | 4007  | " " " " Hinge<br>Screw .....                                      |
| 39591   | 14987 | Clamp Carrier Guide (left) .....                                  |
| 756D    | 14985 | " " " " Screw ..  |
| 23385   | 15017 | " " " (right) .....   |
| 1230F   | 4007  | " " " " Screw (3)   |
| 249753  | 14983 | " " Plate .....   |
| 1231F   | 4007  | " " " Screw (back) (2)  |
| 404D    | 4007  | " " " " (front) (2).  |
| 249623  | 14984 | " " Regulator with 240D,<br>1960 and 39583 .....                  |
| 1232C   | 4007  | Clamp Carrier Regulator Hinge<br>Screw .....                      |
| 1960    | 4007  | Clamp Carrier Regulator Roller and<br>Screw Stud with 1520J ..... |
| 1520J   | 14987 | Clamp Carrier Regulator Roller and<br>Screw Stud Nut .....        |
| 249733  | 14986 | Clamp Carrier Regulator Slide ....                                |
| 350076C | 14982 | " " " Stud (to reg-<br>ulate length of buttonhole) .....          |
| 1671C   | 4009  | Clamp Carrier Regulator Stud Nut .                                |
| 39532   | 4009  | " " " " Sleeve  |
| 39583   | 14987 | " " " " Stop  |
| 240D    | 14987 | " " " " " "   |
|         |       | Screw .....   |
| 39613   | 15019 | Clamp Carrier Slide with 39591 and<br>three 756D .....            |
| 23392   | 4008  | Clamp Carrier Slide Guide (left) ..                               |
| 23393   | 4008  | " " " " (right) ..  |
| 914F    | 4008  | " " " " Screw (4)   |
| 249625  | 14986 | " " " " Lever with 1960   |
| 23395   | 14987 | " " " " Regulator   |
| 23396   | 4008  | " " " " " "   |
|         |       | Cap .....   |
| 223D    | 4008  | Clamp Carrier Slide Lever Regu-<br>lator Cap Screw (4) .....      |
| 67D     | 4008  | Clamp Carrier Slide Lever Regu-<br>lator Screw .....              |

## Parts for Machine No. 71-142

| No.    | Plate | Name   |
|--------|-------|--|
| 1960   | 4007  | Clamp Carrier Slide Lever Roller<br>and Screw Stud with 1520J .....                                  |
| 1520J  | 15987 | Clamp Carrier Slide Lever Roller<br>and Screw Stud Nut .....   |
| 7278   | 4008  | Clamp Carrier Slide Lever Socket<br>Joint .....  |
| 1234C  | 4008  | Clamp Carrier Slide Regulating<br>Stud .....   |
| 23397  | 4008  | Clamp Carrier Slide Regulating<br>Stud Bushing .....   |
| 1658C  | 4008  | Clamp Carrier Slide Regulating<br>Stud Thumb Nut .....   |
| 1256D  | 4008  | Clamp Carrier Slide Screw (2) ..   |
| 249815 | 15017 | " Check, for $\frac{3}{4}$ to 1 in. button<br>holes .....  |
| 249884 | 15017 | Clamp Check, for $\frac{1}{2}$ to $\frac{1}{4}$ in. button<br>holes .....                            |
|        |       | Note: Clamp Check 249884 is furnished<br>with this machine unless 249815 is speci-<br>fied on order. |
| 39650  | 4066  | Clamp Check Holder (for use with<br>249815) .....  |
| 39707  | 15017 | Clamp Check Holder (for use with<br>249884) .....  |
| 212D   | 4066  | Clamp Check Holder Hinge Cap<br>Screw .....  |
| 237F   | 4066  | Clamp Check Holder Stop Screw  |
| 39715V | 4066  | " " " " " "<br>Washer .....  |
| 1296C  | 4066  | Clamp Check Screw (2) .....  |
| 1296C  | 4066  | " " Stop Screw .....   |
| 39549V | 15019 | " Lifting Arm .....  |
| 1235F  | 4009  | " " " Screw (3) .....  |
| 40020V | 14983 | " Plate .....  |
| 1235F  | 4009  | " " Screw (4) .....  |
| 23573  | 14986 | " " Support .....  |
| 402D   | 4007  | " " " Screw (2) .....  |
| 23574  | 4009  | " Post .....   |
| 1659C  | 4009  | " Pressure Regulating Thumb<br>Nut .....   |
| 23404  | 4009  | Clamp Spring .....   |
| 23693V | 4009  | " " Bushing .....  |
| 1294C  | 4009  | " " " Position Stud ..   |
| 1550J  | 4009  | " " " " " Nut  |
| 24028  | 14986 | Crank Connecting Rod with 24085<br>and two 896E .....  |



## Parts for Machine No. 71-142

| No.    | Plate | Name   |
|--------|-------|--|
| *24085 | —     | Crank Connecting Rod Cap .....   |
| 896E   | 4025  | " " " " Screw ..   |
| 908C   | 4025  | " " " " Hinge Screw  |
| 1619E  | 4025  | " " " " " "  |
|        |       | Nut .....  |
| 249631 | 14983 | Face Plate .....   |
| 217F   | 4025  | " " Screw (2) .....  |
| 249846 | 14986 | Feed Driving Gear with two 448c ..   |
| 249847 | 14986 | " " " (intermediate)<br>with two 457E .....  |
| 249850 | 14986 | Feed Driving Gear (intermediate)<br>Bracket .....  |
| 249635 | 14986 | Feed Driving Gear (intermediate)<br>Bracket Position Lever .....                                 |
| 1178D  | 14985 | Feed Driving Gear (intermediate)<br>Bracket Position Lever Clamping<br>Screw .....               |
| 232131 | 14987 | Feed Driving Gear (intermediate)<br>Bracket Position Lever Clamping<br>Screw Washer .....        |
| 249848 | 14986 | Feed Driving Gear (intermediate)<br>Pinion Shaft .....   |
| 249745 | 14986 | Feed Driving Gear (intermediate)<br>Pinion Shaft Collar with two 458c                            |
| 458C   | 14987 | Feed Driving Gear (intermediate)<br>Pinion Shaft Collar Set Screw ..                             |
| 249849 | 14986 | Feed Driving Gear (intermediate)<br>Pinion Shaft Eccentric Bushing..                             |
| 249844 | 14987 | Feed Driving Gear (intermediate)<br>Pinion Shaft Eccentric Bushing<br>Position Plate .....       |
| 161D   | 14985 | Feed Driving Gear (intermediate)<br>Pinion Shaft Eccentric Bushing<br>Position Plate Screw ..... |
| 232719 | 14987 | Feed Driving Gear (intermediate)<br>Position Pin .....   |
| 457E   | 14987 | Feed Driving Gear (intermediate)<br>Set Screw .....  |
| 40025  | 14987 | Feed Driving Gear Position Pin ..  |
| 448C   | 14987 | " " " Set Screw .....  |
| 39994  | 14988 | " Hand Ratchet Lever .....   |
| 23414  | 15017 | " " " " Collar with<br>two 453c .....  |
| 453C   | 14989 | Feed Hand Ratchet Lever Collar<br>Set Screw .....  |
| 39995  | 14988 | Feed Hand Ratchet Lever Pawl<br>Body .....   |

## Parts for Machine No. 71-142

| No.     | Plate | Name  |
|---------|-------|---|
| 39996   | —     | Feed Hand Ratchet Lever Pawl<br>complete, Nos. 207E, 39523, 39995<br>and two 1049E .....          |
| 90D     | 14987 | Feed Hand Ratchet Lever Pawl<br>Hinge Screw .....   |
| 39523   | 14987 | Feed Hand Ratchet Lever Pawl<br>Point .....   |
| 1049E   | 14987 | Feed Hand Ratchet Lever Pawl<br>Point Position Screw .....  |
| 207E    | 14987 | Feed Hand Ratchet Lever Pawl<br>Point Screw .....   |
| 13218   | 14987 | Feed Hand Ratchet Lever Pawl<br>Spring .....  |
| 39997   | 14988 | Feed Hand Ratchet Lever complete,<br>Nos. 90D, 13218, 39994 and 39996                             |
| 39924   | 14988 | Feed Hand Ratchet Wheel with 460c   |
| 3012    | 14989 | " " " " Pin .....   |
| 460C    | 14989 | " " " " Set Screw   |
| 249638  | 15019 | " Wheel with 249641 and two<br>220D, for $\frac{1}{2}$ to $\frac{1}{4}$ in. buttonholes           |
|         |       | Note: Feed Wheel 249638 is furnished with<br>this machine unless 249886 is specified<br>on order. |
| 249886  | 15019 | Feed Wheel with 249641 and two<br>220D, for $\frac{1}{2}$ to 1 in. buttonholes ..                 |
| 201668E | 14988 | Feed Wheel Clamping Nut .....   |
| 249639  | 14983 | " " Shaft .....   |
| 457C    | 14987 | " " " Oil Hole Plug<br>Screw .....  |
| 249640  | 14988 | Feed Wheel Tripping Lever .....   |
| 350237C | 14989 | " " " " Hinge<br>Screw .....  |
| 1620E   | 14989 | Feed Wheel Tripping Lever Hinge<br>Screw Nut .....  |
| 249868  | 14989 | Feed Wheel Tripping Lever Point   |
| 203C    | 14989 | " " " " "<br>Screw (2) .....  |
| 23435   | 14989 | Feed Wheel Tripping Lever Spring  |
| 190D    | 14985 | " " " " "<br>Screw .....  |
| 184E    | 14989 | Feed Wheel Tripping Lever Stop<br>Screw .....   |
| 249641  | 14989 | Feed Wheel Tripping Point .....   |
| 220D    | 14989 | " " " " Screw..   |
| 249642  | 14988 | Intermittent Feed Wheel with two<br>350249E .....   |
| 249643  | 14988 | Intermittent Feed Wheel Driving<br>Bevel Gear with two 200E .....                                 |



## Parts for Machine No. 71-142

| No.     | Plate | Name   |
|---------|-------|--|
| 23681   | 14991 | Knife Bar Driving Lever Spring   |
| 805c    | 14991 | " " " " " "  |
|         |       | Screw .....  |
| 249662  | 14983 | Knife Bar Driving Lever (intermediate) .....   |
| 144D    | 14991 | Knife Bar Driving Lever (intermediate) Cap Screw .....                                 |
| 23471   | 14991 | Knife Bar Driving Lever (intermediate) Connecting Link .....                           |
| 54c     | 14991 | Knife Bar Driving Lever (intermediate) Connecting Link Hinge Screw .....               |
| 350243c | 14991 | Knife Bar Driving Lever (intermediate) Hinge Screw Stud .....                          |
| 201510c | 11658 | Knife Bar Driving Lever (intermediate) Hinge Screw Stud Nut ...                        |
| 205634  | 14991 | Knife Bar Driving Lever (intermediate) Hinge Screw Stud Washer                         |
| 1959    | 14991 | Knife Bar Driving Lever (intermediate) Roller and Screw Stud with 229D and 12424 ..... |
| 229D    | 14989 | Knife Bar Driving Lever (intermediate) Roller Cap Screw .....                          |
| 12424   | 14991 | Knife Bar Driving Lever (intermediate) Roller Cap Screw Washer                         |
| 249737  | 14991 | Knife Bar Spring .....   |
| 249663  | 14991 | " " Stop .....   |
| 201714c | 14991 | " " " Lock Nut .....   |
| 249870  | 14991 | " " " Plug (copper) ....   |
| 249664  | —     | Knife Bar Stop complete, Nos. 201714c, 249663 and 249870 .....                         |
| 249852  | 15018 | Knife Holder .....   |
| 1243c   | 14991 | " " Guide Stud .....   |
| 1608c   | 14991 | " " " " Nut .....  |
| 157c    | 14991 | " " Screw .....  |
| 1547j   | 4009  | " " " Nut .....  |
| 191c    | 14982 | " Screw .....  |
| 23390   | 14991 | " " Washer .....   |
| 39857   | 14990 | Needle Bar with 904r .....   |
| 23476   | 14993 | " " Connecting Link with 794E .....  |
| 794E    | 14993 | Needle Bar Connecting Link Adjusting Screw .....                                       |
| 1021E   | 14993 | Needle Bar Connecting Link Cap Screw .....   |
| 39601   | 14993 | Needle Bar Connecting Stud with 1341c .....  |

## Parts for Machine No. 71-142

| No.     | Plate | Name   |
|---------|-------|--|
| 1341c   | 14993 | Needle Bar Connecting Stud Set Screw .....   |
| 23477   | 14990 | Needle Bar Crank with 858c, 1036c, 1065c and 1258c .....                                       |
| 1065c   | 4025  | Needle Bar Crank Position Screw .....  |
| 858c    | 4025  | " " " Set Screw .....  |
| 23478   | 14983 | " " Frame with 4784 .....  |
| 249666  | 14990 | " " " Connection .....   |
| 350254r | 14993 | " " " " Cap Screw .....  |
| 50140r  | 14993 | Needle Bar Frame Connection Hinge Screw .....  |
| 249667  | 14993 | Needle Bar Frame Driving Gear  |
| 249671  | 14993 | " " " " " "  |
|         |       | (intermediate) (large) with 235356   |
| 249672  | 14993 | Needle Bar Frame Driving Gear (intermediate) (small) .....                                     |
| 249669  | 14990 | Needle Bar Frame Driving Gear (intermediate) Bracket with 1149c                                |
| 250397  | 14993 | Needle Bar Frame Driving Gear (intermediate) Bracket Position Pin .....                        |
| 129E    | 14993 | Needle Bar Frame Driving Gear (intermediate) Bracket Screw (2)                                 |
| 201715c | 14993 | Needle Bar Frame Driving Gear (intermediate) Clamping Nut ...                                  |
| 235356  | 14993 | Needle Bar Frame Driving Gear (intermediate) Pin .....   |
| 249670  | 14993 | Needle Bar Frame Driving Gear (intermediate) Stud .....  |
| 1149c   | 14993 | Needle Bar Frame Driving Gear (intermediate) Stud Set Screw ..                                 |
| 200068H | 14993 | Needle Bar Frame Driving Gear Screw (2) .....  |
| 23610   | —     | Needle Bar Frame Pitman (hinge screw end) .....  |
| 23609   | —     | Needle Bar Frame Pitman (regulator end) .....  |
| 190c    | 14985 | Needle Bar Frame Pitman Adjusting Screw .....  |
| 7071    | 4008  | Needle Bar Frame Pitman Adjusting Screw Washer .....   |
| 23611   | 14993 | Needle Bar Frame Pitman (adjustable) complete, Nos. 23609, 23610, two each 190c and 7071 ..... |
| 1042c   | 14993 | Needle Bar Frame Pitman Hinge Screw .....  |
| 1547j   | 4009  | Needle Bar Frame Pitman Hinge Screw Nut .....  |



## Parts for Machine No. 71-142

| No.     | Plate | Name   |
|---------|-------|--|
| 249673  | 14993 | Needle Bar Frame Regulator .....   |
| 1038c   | 14993 | " " " " Adjusting Screw .....  |
| 1698c   | 14993 | Needle Bar Frame Regulator Adjusting Screw Nut .....                           |
| 7070    | 4007  | Needle Bar Frame Regulator Adjusting Screw Sleeve .....                        |
| 39504   | 14994 | Needle Bar Frame Regulator Adjusting Screw Washer .....                        |
| 249668  | 14994 | Needle Bar Frame Regulator Hinge Stud .....                                    |
| 446c    | 4025  | Needle Bar Frame Regulator Hinge Stud Set Screw .....                          |
| 673F    | 14994 | Needle Bar Frame Screw Center ..   |
| 1517J   | 14994 | " " " " " Nut  |
| 249851  | 14994 | " Plate .....  |
| 404D    | 4007  | " " Screw (2) .....  |
| 904F    | 14994 | " Set Screw .....  |
| 249674  | 14990 | " Vibrating Gear with two 350249E .....  |
| 12546   | 14989 | Needle Vibrating Gear Position Pin   |
| 350249E | 14989 | " " " " Screw  |
| 39653   | 14990 | Oscillating Rock Shaft .....   |
| 23494   | 14990 | " " " " Hinge Pin with 23421 .....   |
| 23421   | —     | Oscillating Rock Shaft Hinge Pin Oil Hole Plug (leather) .....                 |
| 448c    | 14987 | Oscillating Rock Shaft Hinge Pin Set Screw .....                               |
| 39654   | —     | Oscillating Rock Shaft complete, Nos. 4784, 23494 and 39653 .....              |
| 4784    | —     | Oscillating Rock Shaft Oil Pad ....  |
| 39655   | 14990 | " Shaft .....  |
| 39656   | 4023  | " " Bushing (back) .....   |
| 24047   | 14994 | " " " (front) .....  |
| 249809  | 14994 | " " " " Oil Tube (brass) .....   |
| 39657   | —     | Oscillating Shaft Crank .....  |
| 1253c   | 4023  | " " " " Set Screw ..   |
| 39658   | 4023  | Oscillating Shaft Crank complete, Nos. 1636E, 24050, 39657 and two 1253c ..... |
| 19448   | 14994 | Oscillating Shaft Crank Slide Block  |
| 226D    | 14994 | " " " " " Cap Screw .....  |
| 12424   | 14991 | Oscillating Shaft Crank Slide Block Cap Screw Washer .....                     |
| 1035c   | 14994 | Oscillating Shaft Crank Slide Block Screw Stud .....                           |

## Parts for Machine No. 71-142

| No.    | Plate | Name  |
|--------|-------|---|
| 1636E  | 14994 | Oscillating Shaft Crank Slide Block Screw Stud Nut .....                                |
| 24050  | —     | Oscillating Shaft Crank Slide Block complete, Nos. 226D, 1035c, 12424 and 19448 .....   |
| 249700 | 14990 | Pulley (loose) .....  |
| 249747 | 14990 | " " Bushing .....   |
| 249748 | —     | " " " Oil Packing (felt)  |
| 249702 | 14990 | " (tight) with 454c .....   |
| 40025  | 14987 | " " Pin (2) .....   |
| 454c   | 14994 | " " Set Screw .....   |
| 23504  | —     | Shuttle, 1 1/4 in. diam., Nos. 23500, 23502 and 23503 .....                             |
| 23500  | 14995 | Shuttle Bobbin .....  |
| 15141  | —     | " " Case Hinge, Nos. 2973, 2974 and 15140 .....   |
| 15140  | 14995 | Shuttle Bobbin Case Latch .....   |
| 2973   | 14995 | " " " " " Lever   |
| 2974   | 14995 | " " " " " " "   |
| 2975   | 14995 | Fulcrum Pin .....   |
| 592E   | 14995 | Shuttle Bobbin Case Latch Spring  |
|        |       | " " " " " Stop Screw .....  |
| *23501 | —     | Shuttle Bobbin Case Position Finger   |
| 2523   | 14995 | " " " " " " "   |
|        |       | Rivet .....   |
| 23502  | —     | Shuttle Bobbin Case complete, Nos. 591E, 592E, 2523, 2975, 15141, 23501 and 23680 ..... |
| 23503  | 14978 | Shuttle Body .....  |
| 23505  | 14995 | " Driver with 462c .....  |
| 2269   | 14978 | " " Pin .....   |
| 462c   | 14978 | " " Set Screw .....   |
| 39969  | 14978 | " Race Back .....   |
| 2532   | 14978 | " " " Position Pin .....  |
| 2533   | 14995 | " " " Spring .....  |
| 648D   | 14995 | " " " " Screw .....   |
| 39979  | —     | " " Body .....  |
| 39980  | 14995 | " " " 39979 with 7326, 39981, two each 391J and 662D ..                                 |
| 39982  | 14978 | Shuttle Race complete, Nos. 648D, 2533, 39969, 39980 and two 2532 ..                    |
| 7326   | 14978 | Shuttle Race Cap .....  |
| 662D   | 14995 | " " " Screw .....   |
| 39981  | 14978 | " " Ring .....  |
| 391J   | 14995 | " " " Screw .....   |
| 145F   | 14995 | " " " Screw .....   |
| 591E   | 14978 | " Tension Regulating Screw ..   |
| 23680  | 15017 | " " Spring .....  |



## Parts for Machine No. 71-142

| No.     | Plate | Name  |
|---------|-------|---|
| 249686  | 14998 | Tension (top cover) Releaser Holder with 201F .....               |
| 999F    | 14998 | Tension (top cover) Releaser Holder Hinge Screw .....             |
| 249690  | 15018 | Tension (top cover) Releaser Holder Plate .....                   |
| 350229E | 14982 | Tension (top cover) Releaser Holder Plate Screw .....             |
| 249687  | 14998 | Tension (top cover) Releaser Rod                                  |
| 40043   | 14998 | " " " " "   |
|         |       | Collar with 209c (2) .....  |
| 209c    | 14998 | Tension (top cover) Releaser Rod Collar Set Screw .....           |
| 249800  | 14998 | Tension (top cover) Releaser Rod Spring .....                     |
| 201F    | 14998 | Tension (top cover) Releaser Set Screw .....                      |
| 32572   | 14998 | Tension (top cover) Releasing Disc                                |
| 39633   | 14998 | " " " " Lever   |
| 249688  | 14998 | " " " " "   |
|         |       | Connection .....  |
| 974F    | 14998 | Tension (top cover) Releasing Lever Connection Screw (back) ....  |
| 940F    | 14998 | Tension (top cover) Releasing Lever Connection Screw (front) .... |
| 90F     | 14987 | Tension (top cover) Releasing Lever Hinge Screw .....             |
| 39635   | 14998 | Tension (top cover) Releasing Pin                                 |
| 1388c   | 14998 | " " " Screw Stud ....   |
| 1664E   | 4007  | " " " " Nut   |
| 8238    | 15017 | " " " Spring .....  |
| 39636   | 14998 | " " " Thread Eyelet (double) .....                                |
| 217F    | 4025  | Tension (top cover) Thread Eyelet Screw .....                     |
| 249692  | 15018 | Thread (upper) Guide .....  |
| 227D    | 15018 | " " " Screw (2) ..  |
| 23669   | 15018 | " Guide (side of arm) (lower)                                     |
| 460c    | 14989 | " " " " "   |
|         |       | Set Screw .....   |
| 39711   | 4007  | Thread Guiding Stud (side of arm)                                 |
| 460c    | 14989 | " " " Set Screw ....  |
| 39712   | 4007  | " Retainer Holder with 462c ..                                    |
| 1664E   | 4007  | " " " Nut .....   |
| 12400   | 15018 | " " Sleeve .....  |
| 39713   | 4007  | " " Spring .....  |
| 12402   | 15018 | " " Stud .....  |
| 462c    | 14978 | " " " Set Screw .....   |

## Parts for Machine No. 71-142

| No.   | Plate | Name  |
|-------|-------|---|
| 39714 | —     | Thread Retainer complete, Nos. 1664E, 12400, 12402, 39712 and 39713 ..... |
| 23523 | 4023  | Thread Take-up Crank .....  |
| 1036c | 4023  | " " " Position Screw .....  |
| 1258c | 4023  | Thread Take-up Crank Set Screw.   |
| 23524 | 4023  | " " Lever .....   |
| 12166 | 4023  | " " " Hinge Pin ...   |
| 23543 | 4023  | " " " Link .....  |
| 11204 | 4023  | " " " " Hinge Pin   |
| 435c  | 14985 | " " " " " "   |
|       |       | Set Screw .....   |
| 4784  | —     | Thread Take-up Lever Oil Pad ...  |
| 23525 | —     | Thread Take-up Lever complete Nos. 12166, 23524 and 23543 .....           |
| 39652 | 4009  | Thread Take-up Spring .....   |
| 39950 | 15018 | " " " Regulator with 350060c .....  |
| 446c  | 4025  | Thread Take-up Spring Regulator Set Screw .....                           |



## Accessories

| No.     | Plate | Name  |
|---------|-------|---|
| 19397   | 4024  | Bed Frame Hinge Connection Cap  |
| 211E    | 4024  | " " " " "   |
|         |       | Screw .....   |
| 16555   | 4024  | Bed Frame Hinge Plate .....   |
| 14010   | 4024  | " " " " Rivet ....  |
| 249722  | —     | Splash Guard with 201655J .....   |
| 39912   | 4083  | " " Hinge .....   |
| 200574E | 11658 | " " " Screw .....   |
| 201655J | 11658 | " " Locking Screw Wing Nut .....  |
| 249723  | —     | Bed Frame and Splash Guard complete, Nos. 249721, 249722, two 39912 and eight 200574E ..... |

## TABLE BELT GUIDES

|       |       |   |
|-------|-------|---|
| 23536 | 4047  | Guide with two 168E .....   |
| 168E  | 4025  | " Set Screw .....   |
| 14229 | 4047  | Bracket with 448c .....   |
| 23538 | 4047  | Pulley .....  |
| 39708 | 4047  | " Shaft with 858c .....   |
| 858c  | 4025  | " " Oil Hole Plug Screw ..  |
| 448c  | 14987 | " " Set Screw .....   |
| 39716 | 4047  | Table Belt Guide (single, left) complete, Nos. 14229, 23536, 23538, 39708 and four wood screws 1½ in., No. 12, R.H.B. ....  |
| 39709 | 4047  | Table Belt Guide (single, right) complete, Nos. 14229, 23536, 23538, 39708 and four wood screws 1½ in., No. 12, R.H.B. .... |

## THREAD UNWINDER

|         |       |  |
|---------|-------|--|
| 225325  | 14263 | Spool Rest (for two spools) with 201018c ..... |
| 225388  | 14263 | Spool Rest Rod .....                           |
| 200383c | 15009 | " " " Set Screw .....                          |
| 201018c | 15009 | " " Set Screw .....                            |
| 202490  | 14263 | " Stand with 200383c .....                     |
| 225391  | 14263 | Thread Guide .....                             |
| 201696J | 15009 | " " Lock Nut .....                             |
| 225324  | 14263 | " " Rod with 208E and 225322 .....             |
| 208E    | 4083  | Thread Guide Rod Screw .....                   |
| 225322  | 15009 | " " Washer .....                               |
| 225326  | 15009 | " " Position Cup .....                         |

## Accessories

| No.    | Plate | Name  |
|--------|-------|---|
| 225396 | 14263 | Thread Unwinder (for two spools) complete, Nos. 201696J, 202490, 225324 to 225326, 225388, two 225391 and three wood screws ¾ in., No. 12 ..... |

## TREADLE

|       |       |  |
|-------|-------|--|
| 14209 | 15019 | Treadle .....  |
| 39569 | 15019 | Chain, 45 in. long, with 39575 and 39576 (2) .....   |
| 39570 | 4047  | Chain Guide Bracket .....  |
| 39571 | 4047  | " " Pulley .....   |
| 1064D | 4025  | " " " Screw .....  |
| 39575 | 4024  | " Hook (lower) .....   |
| 39576 | 4024  | " " (upper) .....  |
| 39572 | 4047  | Treadle Chain Guide complete, Nos. 39570, two each 1064D, 39571 and wood screws 1½ in., No. 12, R.H.B. (2) ..... |
| 23551 | 4024  | Chain Screw Eye (2) .....  |
| 7585  | 15009 | Shaft .....  |
| 14357 | 15019 | Stand .....  |
| 14358 | 15019 | Treadle complete, Nos. 7585, 14209, 14357 and two wood screws 1½ in., No. 12 (2) .....                           |



## KNIFE GRINDER

| No.     | Plate | Name  |
|---------|-------|---|
| 39886   | —     | Emery Wheel, 4 in. diameter ....                                      |
| 39887   | 4083  | " " Driving Shaft ....  |
| 201510D | 11658 | " " " " Nut   |
| 204101  | 11658 | " " " " "   |
|         |       | Washer .....  |
| 39888   | 4083  | Emery Wheel Driving Shaft Oil<br>Hole Cover .....                     |
| 350068E | 15009 | Emery Wheel Driving Shaft Oil<br>Hole Cover Screw .....               |
| 206963  | 11658 | Emery Wheel Driving Shaft Pulley<br>with two 200403c .....            |
| 200403c | 11658 | Emery Wheel Driving Shaft Pulley<br>Set Screw .....                   |
| 206969  | —     | Emery Wheel Washer (paper) ...  |
| 39889   | 15019 | Knife Grinder Frame .....   |
| 39890   | 4086  | " Holder (adjustable) .....   |
| 57C     | 4083  | " " Hinge Screw .....   |
| 39891   | 4083  | " " Indicator .....   |
| 203094  | 11658 | " " " Position Pin ..   |
| 200165H | 11658 | " " " Screw .....   |
| 39892   | 4086  | " " Slide Bracket with<br>200386c .....                               |
| 201298c | 11658 | Knife Holder Slide Bracket Adjust-<br>ing Screw .....                 |
| 39893   | 4086  | Knife Holder Slide Bracket Adjust-<br>ing Screw Slide Plate .....     |
| 200577H | 11658 | Knife Holder Slide Bracket Adjust-<br>ing Screw Slide Plate Screw ... |
| 10249   | 4083  | Knife Holder Slide Bracket Adjust-<br>ing Screw Tension Spring .....  |
| 219F    | 4008  | Knife Holder Slide Bracket Adjust-<br>ing Screw Tension Spring Screw  |
| 200386c | 11658 | Knife Holder Slide Bracket Set<br>Screw .....                         |
| 39894   | 4086  | Knife Holder Slide Bracket Shaft                                      |
| 206232  | 11658 | " " " " "   |
|         |       | Collar with 201052c .....   |
| 201052c | 11658 | Knife Holder Slide Bracket Shaft<br>Collar Set Screw .....            |
| 771D    | 4083  | Knife Holder Thumb Screw .....  |
| 9525    | 4083  | " " " " Washer  |
| 39895   | 4083  | " Holding Spring .....  |
| 39896   | 4083  | " " " Bracket .....   |
| 204264  | 11658 | " " " " Position<br>Pin .....   |

## Knife Grinder

| No.    | Plate | Name   |
|--------|-------|--|
| 176D   | 4083  | Knife Holding Spring Bracket Screw   |
| 204264 | 11658 | " " " Position Pin ..  |
| 793D   | 4083  | " " " Thumb Screw.   |
| 39897  | 4083  | " Stop (adjustable) .....  |
| 208D   | 4083  | " " Screw .....  |
| 39898  | —     | Knife Grinder complete, Nos. 57C,<br>176D, 208D, 219F, 771D, 793D, 9525,<br>10249, 39886 to 39897, 200165H,<br>201298c, 201510D, 203094, 204101,<br>206963, 350068E, two each 200577H,<br>204264, 206232, 206969 and three<br>wood screws 1½ in., No. 12 ..... |

## MISCELLANEOUS PARTS

Used in conjunction with Thread Unwinder

|        |       |                                |
|--------|-------|--------------------------------|
| 60913  | 14263 | Spool Weight with 60914 .....  |
| 60914  | —     | " " Center Pin .....           |
| 225377 | 14263 | " Wire, for small spools ..... |
| 27739  | 15007 | Thread Cone (wood) .....       |

## NUMERICAL LIST OF PARTS

| No. | Name                      |
|-----|---------------------------|
| 125 | Double Winder Stop Launch |
| 126 | Screw for 125             |
| 127 | Clutch Carrier Connecting |
| 128 | Clutch Carrier            |
| 129 | Knife Bar Driving Lever   |
| 130 | Knife Bar Driving Lever   |
| 131 | Knife Bar Driving Lever   |
| 132 | Knife Bar Driving Lever   |
| 133 | Knife Bar Driving Lever   |
| 134 | Knife Bar Driving Lever   |
| 135 | Knife Bar Driving Lever   |
| 136 | Knife Bar Driving Lever   |
| 137 | Knife Bar Driving Lever   |
| 138 | Knife Bar Driving Lever   |
| 139 | Knife Bar Driving Lever   |
| 140 | Knife Bar Driving Lever   |
| 141 | Knife Bar Driving Lever   |
| 142 | Knife Bar Driving Lever   |
| 143 | Knife Bar Driving Lever   |
| 144 | Knife Bar Driving Lever   |
| 145 | Knife Bar Driving Lever   |
| 146 | Knife Bar Driving Lever   |
| 147 | Knife Bar Driving Lever   |
| 148 | Knife Bar Driving Lever   |
| 149 | Knife Bar Driving Lever   |
| 150 | Knife Bar Driving Lever   |
| 151 | Knife Bar Driving Lever   |
| 152 | Knife Bar Driving Lever   |
| 153 | Knife Bar Driving Lever   |
| 154 | Knife Bar Driving Lever   |
| 155 | Knife Bar Driving Lever   |
| 156 | Knife Bar Driving Lever   |
| 157 | Knife Bar Driving Lever   |
| 158 | Knife Bar Driving Lever   |
| 159 | Knife Bar Driving Lever   |
| 160 | Knife Bar Driving Lever   |
| 161 | Knife Bar Driving Lever   |
| 162 | Knife Bar Driving Lever   |
| 163 | Knife Bar Driving Lever   |
| 164 | Knife Bar Driving Lever   |
| 165 | Knife Bar Driving Lever   |
| 166 | Knife Bar Driving Lever   |
| 167 | Knife Bar Driving Lever   |
| 168 | Knife Bar Driving Lever   |
| 169 | Knife Bar Driving Lever   |
| 170 | Knife Bar Driving Lever   |
| 171 | Knife Bar Driving Lever   |
| 172 | Knife Bar Driving Lever   |
| 173 | Knife Bar Driving Lever   |
| 174 | Knife Bar Driving Lever   |
| 175 | Knife Bar Driving Lever   |
| 176 | Knife Bar Driving Lever   |
| 177 | Knife Bar Driving Lever   |
| 178 | Knife Bar Driving Lever   |
| 179 | Knife Bar Driving Lever   |
| 180 | Knife Bar Driving Lever   |
| 181 | Knife Bar Driving Lever   |
| 182 | Knife Bar Driving Lever   |
| 183 | Knife Bar Driving Lever   |
| 184 | Knife Bar Driving Lever   |
| 185 | Knife Bar Driving Lever   |
| 186 | Knife Bar Driving Lever   |
| 187 | Knife Bar Driving Lever   |
| 188 | Knife Bar Driving Lever   |
| 189 | Knife Bar Driving Lever   |
| 190 | Knife Bar Driving Lever   |
| 191 | Knife Bar Driving Lever   |
| 192 | Knife Bar Driving Lever   |
| 193 | Knife Bar Driving Lever   |
| 194 | Knife Bar Driving Lever   |
| 195 | Knife Bar Driving Lever   |
| 196 | Knife Bar Driving Lever   |
| 197 | Knife Bar Driving Lever   |
| 198 | Knife Bar Driving Lever   |
| 199 | Knife Bar Driving Lever   |
| 200 | Knife Bar Driving Lever   |

## NUMERICAL LIST OF PARTS

| No. | Name               |
|-----|--------------------|
| 200 | Hand Ratchet Lever |
| 201 | Screw for 200      |
| 202 | Engaging Lever     |
| 203 | Engaging Lever     |
| 204 | Engaging Lever     |
| 205 | Engaging Lever     |
| 206 | Engaging Lever     |
| 207 | Engaging Lever     |
| 208 | Engaging Lever     |
| 209 | Engaging Lever     |
| 210 | Engaging Lever     |
| 211 | Engaging Lever     |
| 212 | Engaging Lever     |
| 213 | Engaging Lever     |
| 214 | Engaging Lever     |
| 215 | Engaging Lever     |
| 216 | Engaging Lever     |
| 217 | Engaging Lever     |
| 218 | Engaging Lever     |
| 219 | Engaging Lever     |
| 220 | Engaging Lever     |
| 221 | Engaging Lever     |
| 222 | Engaging Lever     |
| 223 | Engaging Lever     |
| 224 | Engaging Lever     |
| 225 | Engaging Lever     |
| 226 | Engaging Lever     |
| 227 | Engaging Lever     |
| 228 | Engaging Lever     |
| 229 | Engaging Lever     |
| 230 | Engaging Lever     |
| 231 | Engaging Lever     |
| 232 | Engaging Lever     |
| 233 | Engaging Lever     |
| 234 | Engaging Lever     |
| 235 | Engaging Lever     |
| 236 | Engaging Lever     |
| 237 | Engaging Lever     |
| 238 | Engaging Lever     |
| 239 | Engaging Lever     |
| 240 | Engaging Lever     |
| 241 | Engaging Lever     |
| 242 | Engaging Lever     |
| 243 | Engaging Lever     |
| 244 | Engaging Lever     |
| 245 | Engaging Lever     |
| 246 | Engaging Lever     |
| 247 | Engaging Lever     |
| 248 | Engaging Lever     |
| 249 | Engaging Lever     |
| 250 | Engaging Lever     |
| 251 | Engaging Lever     |
| 252 | Engaging Lever     |
| 253 | Engaging Lever     |
| 254 | Engaging Lever     |
| 255 | Engaging Lever     |
| 256 | Engaging Lever     |
| 257 | Engaging Lever     |
| 258 | Engaging Lever     |
| 259 | Engaging Lever     |
| 260 | Engaging Lever     |
| 261 | Engaging Lever     |
| 262 | Engaging Lever     |
| 263 | Engaging Lever     |
| 264 | Engaging Lever     |
| 265 | Engaging Lever     |
| 266 | Engaging Lever     |
| 267 | Engaging Lever     |
| 268 | Engaging Lever     |
| 269 | Engaging Lever     |
| 270 | Engaging Lever     |
| 271 | Engaging Lever     |
| 272 | Engaging Lever     |
| 273 | Engaging Lever     |
| 274 | Engaging Lever     |
| 275 | Engaging Lever     |
| 276 | Engaging Lever     |
| 277 | Engaging Lever     |
| 278 | Engaging Lever     |
| 279 | Engaging Lever     |
| 280 | Engaging Lever     |
| 281 | Engaging Lever     |
| 282 | Engaging Lever     |
| 283 | Engaging Lever     |
| 284 | Engaging Lever     |
| 285 | Engaging Lever     |
| 286 | Engaging Lever     |
| 287 | Engaging Lever     |
| 288 | Engaging Lever     |
| 289 | Engaging Lever     |
| 290 | Engaging Lever     |
| 291 | Engaging Lever     |
| 292 | Engaging Lever     |
| 293 | Engaging Lever     |
| 294 | Engaging Lever     |
| 295 | Engaging Lever     |
| 296 | Engaging Lever     |
| 297 | Engaging Lever     |
| 298 | Engaging Lever     |
| 299 | Engaging Lever     |
| 300 | Engaging Lever     |

## No. 71-142

From the library of: Diamond Needle Corp



## NUMERICAL LIST OF PARTS

| No.  | Plate | Name   |
|------|-------|--|
| 35D  | 4025  | Bobbin Winder Stop Latch Hinge Screw, for 249718 .....                                     |
| 52C  | 4007  | Clamp Carrier Connecting Rod Hinge Screw .....   |
| 54C  | 14991 | Knife Bar Driving Lever (intermediate) Connecting Link Hinge Screw .....                   |
| 57C  | 4083  | Knife Grinder Knife Holder Hinge Screw, for 39898 .....                                    |
| 61C  | 14994 | Starting Lever Rod Hinge Screw ..  |
| 67D  | 4008  | Clamp Carrier Slide Lever Regulator Screw .....  |
| 69F  | 15018 | Tension (top cover) Releaser (last side of buttonhole) Hinge Screw ..                      |
| 90D  | 14987 | Feed Hand Ratchet Lever Pawl Hinge Screw, for 39997 .....                                  |
| 90C  | 14987 | Knife Bar Disengaging Lever Hinge Screw .....  |
| 90F  | 14987 | Tension (top cover) Releasing Lever Hinge Screw .....                                      |
| 123E | 14994 | Starting Lever Bracket Screw ....  |
| 124F | 14994 | " " Stop Screw .....   |
| 129E | 14993 | Needle Bar Frame Driving Gear (intermediate) Bracket Screw ..                              |
| 144D | 14991 | Knife Bar Driving Lever (intermediate) Cap Screw .....                                     |
| 145F | 14995 | Shuttle Race Screw .....   |
| 157C | 14991 | Knife Holder Screw .....   |
| 158E | 4024  | Bed Frame Cushion Screw, for 249721 .....  |
| 158E | 4024  | Belt Shifter Shaft Bracket Extension Screw .....   |
| 161D | 14985 | Bobbin Winder Base Screw .....   |
| 161D | 14985 | Feed Driving Gear (intermediate) Pinion Shaft Eccentric Bushing Position Plate Screw ..... |
| 162D | 15018 | Bed Frame Clamp Lifting Arm Stop Screw .....   |
| 164D | 14996 | Stop Cam Gear Guard Screw .....  |
| 168E | 4025  | Table Belt Guide Set Screw, for 23536 .....  |

## Numerical List of Parts

| No.  | Plate | Name   |
|------|-------|--|
| 175E | 14989 | Knife Bar Disengaging Lever Catch Tripping Point Screw, for 249869 |
| 176D | 4083  | Knife Grinder Knife Holding Spring Bracket Screw, for 39898        |
| 178D | 15017 | Belt Shifter Shaft Bracket Stop Plate Screw                        |
| 184E | 14989 | Feed Wheel Tripping Lever Stop Screw                               |
| 190D | 14985 | Arm Side Cover Screw   |
| 190D | 14985 | " Top Cover Screw  |
| 190D | 14985 | Feed Wheel Tripping Lever Spring Screw                             |
| 190C | 14985 | Needle Bar Frame Pitman Adjusting Screw, for 23611                 |
| 191C | 14982 | Barring Point Screw  |
| 191C | 14982 | Belt Shifter Shaft Bracket Stop Screw                              |
| 191C | 14982 | Clamp Arm Bracket Screw  |
| 191C | 14982 | Knife Screw  |
| 191C | 14982 | Starting Lever Spring Collar Set Screw, for 39675                  |
| 191C | 14982 | Tension (side of arm) Releaser Shaft Arm Connection Screw          |
| 196F | 4007  | Clamp Arm Hinge Block Pin Set Screw, for 39584                     |
| 200E | 14989 | Intermittent Feed Wheel Driving Roller Stud Set Screw, for 249643  |
| 200F | 14989 | Tension (side of arm) Releaser Set Screw, for 23519                |
| 201F | 14998 | Tension (top cover) Releaser Set Screw, for 249686                 |
| 203C | 14989 | Feed Wheel Tripping Lever Point Screw                              |
| 207E | 14987 | Feed Hand Ratchet Lever Pawl Point Screw, for 39996                |
| 208D | 4083  | Barring Shaft Guard Screw  |
| 208D | 4083  | Knife Grinder Knife Stop Screw, for 39898                          |
| 208E | 4083  | Thread Unwinder Thread Guide Rod Screw, for 225324                 |
| 209C | 14998 | Tension (top cover) Releaser Rod Collar Set Screw, for 40043       |
| 211E | 4024  | Bed Frame Hinge Connection Cap Screw, for 19398                    |
| 212D | 4066  | Clamp Check Holder Hinge Cap Screw                                 |
| 217F | 4025  | Clamp Arm Bracket Guide (right) Screw                              |

## Numerical List of Parts

| No.  | Plate | Name   |
|------|-------|--|
| 217F | 4025  | Face Plate Screw   |
| 217F | 4025  | Tension (top cover) Thread Eyelet Screw  |
| 219F | 4008  | Clamp Arm Bracket Guide (left) Screw   |
| 219F | 4008  | Knife Grinder Knife Holder Slide Bracket Adjusting Screw Tension Spring Screw, for 39898 |
| 220D | 14989 | Feed Wheel Tripping Point Screw, for 249638 and 249886                                   |
| 223D | 4008  | Barring Slide Operating Plate (adjustable) Screw   |
| 223D | 4008  | Clamp Carrier Slide Lever Regulator Cap Screw  |
| 226D | 14994 | Oscillating Shaft Crank Slide Block Cap Screw, for 24050                                 |
| 227D | 15018 | Thread (upper) Guide Screw   |
| 228D | 14982 | Barring Slide Operating Plate (stationary) Screw   |
| 229D | 14989 | Intermittent Feed Wheel Driving Roller Cap Screw, for 201985                             |
| 229D | 14989 | Knife Bar Driving Lever (intermediate) Roller Cap Screw, for 1959                        |
| 237F | 4066  | Belt Shifter Shaft Guide Collar Set Screw, for 249861                                    |
| 237F | 4066  | Clamp Check Holder Stop Screw  |
| 240D | 14987 | " Carrier Regulator Stud Stop Screw, for 249623  |
| 391L | 14995 | Shuttle Race Ring Screw, for 39980   |
| 402D | 4007  | Clamp Arm Screw  |
| 402D | 4007  | " Plate Support Screw  |
| 404D | 4007  | " Carrier Block Plate Screw, for 40006   |
| 404D | 4007  | Clamp Carrier Plate Screw (front)  |
| 404D | 4007  | Needle Plate Screw   |
| 418D | 4024  | Bobbin Winder Tension Screw Stud, for 5989   |
| 435C | 14985 | Arm Shaft Flanged Bushing (back) Set Screw   |
| 435C | 14985 | Thread Take-up Lever Link Hinge Pin Set Screw  |
| 446C | 4025  | Needle Bar Frame Regulator Hinge Stud Set Screw  |
| 446C | 4025  | Thread Take-up Spring Regulator Set Screw  |
| 448C | 14987 | Feed Driving Gear Set Screw, for 249846  |

## Numerical List of Parts

| No.  | Plate | Name  |
|------|-------|---|
| 448c | 14987 | Knife Bar Disengaging Lever Catch Tripping Point Collar Set Screw, for 249869 ..... |
| 448c | 14987 | Oscillating Rock Shaft Hinge Pin Set Screw .....                                    |
| 448c | 14987 | Table Belt Guide Pulley Shaft Set Screw, for 14229 .....                            |
| 452c | 4025  | Barring Slide Stop Screw (adjustable) Set Screw, for 249611 .....                   |
| 452c | 4025  | Bobbin Winder Thread Eyelet Rod Set Screw, for 249696 .....                         |
| 453c | 14989 | Feed Hand Ratchet Lever Collar Set Screw, for 23414 .....                           |
| 453c | 14989 | Intermittent Feed Wheel Driving Bevel Pinion Set Screw, for 249645 .....            |
| 454c | 14994 | Pulley (tight) Set Screw, for 249702 .....  |
| 457E | 14987 | Feed Driving Gear (intermediate) Set Screw, for 249847 .....                        |
| 457c | 14987 | Feed Wheel Shaft Oil Hole Plug Screw .....  |
| 457c | 14987 | Stop Cam Spring Stop Screw Block Set Screw, for 249713 .....                        |
| 458c | 14987 | Feed Driving Gear (intermediate) Pinion Shaft Collar Set Screw, for 249745 .....    |
| 460c | 14989 | Feed Hand Ratchet Wheel Set Screw, for 39924 .....                                  |
| 460c | 14989 | Thread Guide (side of arm) (lower) Set Screw .....                                  |
| 460c | 14989 | Thread Guiding Stud Set Screw ..  |
| 462c | 14978 | Shuttle Driver Set Screw, for 23505 .....   |
| 462c | 14978 | Thread Retainer Stud Set Screw, for 39712 .....                                     |
| 564c | 14994 | Starting Lever Screw Center, for 58384 .....  |
| 591F | 14978 | Shuttle Tension Regulating Screw, for 23502 .....                                   |
| 592E | 14995 | Shuttle Bobbin Case Latch Stop Screw, for 23502 .....                               |
| 625F | 4009  | Clamp Arm Adjusting Screw .....   |
| 648D | 14995 | Shuttle Race Back Spring Screw, for 39982 .....                                     |
| 662D | 14995 | Shuttle Race Cap Screw, for 39980 .....   |
| 673F | 14994 | Needle Bar Frame Screw Center ..  |
| 704E | 14982 | Barring Slide Stop Attaching Screw .....  |
| 704E | 14982 | " " " Screw (adjustable) .....  |
| 717c | 14994 | Starting Lever Adjusting Screw ..   |

## Numerical List of Parts

| No.   | Plate | Name   |
|-------|-------|--|
| 748E  | 4025  | Arm Screw (back) .....   |
| 756E  | 14985 | Belt Shifter Trip Point Screw, for 249869 .....                    |
| 756D  | 14985 | Clamp Carrier Guide (left) Screw, for 39613 .....                  |
| 771D  | 4083  | Knife Grinder Knife Holder Thumb Screw, for 39898 .....            |
| 793D  | 4083  | Knife Grinder Knife Holding Spring Thumb Screw, for 39898 .....    |
| 794E  | 14993 | Needle Bar Connecting Link Adjusting Screw, for 23476 .....        |
| 805c  | 14991 | Knife Bar Driving Lever Spring Screw .....                         |
| 858c  | 4025  | Needle Bar Crank Set Screw, for 23477 .....                        |
| 858c  | 4025  | Table Belt Guide Pulley Shaft Oil Hole Plug Screw, for 39708 ..... |
| 868E  | 4025  | Arm Screw (front) .....  |
| 871c  | 14996 | Stop Cam Spring Stop Screw .....                                   |
| 896E  | 4025  | Crank Connecting Rod Cap Screw, for 24028 .....                    |
| 904F  | 14994 | Needle Set Screw, for 39857 .....                                  |
| 908c  | 4025  | Crank Connecting Rod Hinge Screw .....                             |
| 913c  | 14996 | Stop Cam Interlocking Rod Spring Regulating Thumb Screw .....      |
| 914F  | 4008  | Clamp Carrier Slide Guide Screw ..                                 |
| 940F  | 14998 | Tension (top cover) Releasing Lever Connection Screw (front) ..... |
| 974F  | 14998 | Tension (top cover) Releasing Lever Connection Screw (back) .....  |
| 999F  | 14998 | Tension (top cover) Releaser Holder Hinge Screw .....              |
| 1021E | 14993 | Needle Bar Connecting Link Cap Screw .....                         |
| 1035c | 14994 | Oscillating Shaft Crank Slide Block Screw Stud, for 24050 .....    |
| 1036c | 4023  | Thread Take-up Crank Position Screw, for 23477 .....               |
| 1038c | 14993 | Needle Bar Frame Regulator Adjusting Screw .....                   |
| 1042c | 14993 | Needle Bar Frame Pitman Hinge Screw .....                          |
| 1043c | 15017 | Tension (side of arm) Screw Stud ..                                |
| 1049E | 14987 | Feed Hand Ratchet Lever Pawl Point Position Screw, for 39996 ..    |
| 1064D | 4025  | Treadle Chain Guide Pulley Screw, for 39572 .....                  |
| 1065c | 4025  | Needle Bar Crank Position Screw, for 23477 .....                   |



## Numerical List of Parts

| No.   | Plate | Name  |
|-------|-------|---|
| 1070C | 14996 | Stop Cam Interlocking Rod Guide Set Screw, for 249817 .....                   |
| 1149C | 14993 | Needle Bar Frame Driving Gear (intermediate) Stud Set Screw, for 249669 ..... |
| 1178D | 14985 | Face Driving Gear (intermediate) Bracket Position Lever Clamping Screw .....  |
| 1226E | 14985 | Belt Shifter Shaft Bracket Spring Screw Stud .....                            |
| 1230F | 4007  | Clamp Carrier Guide (right) Screw   |
| 1231F | 4007  | " " Plate Screw (back) ..   |
| 1232C | 4007  | " " Regulator Hinge Screw   |
| 1234C | 4008  | " " Slide Regulating Stud   |
| 1235F | 4009  | Bed Oil Guard Screw .....   |
| 1235F | 4009  | Clamp Lifting Arm Screw .....   |
| 1235F | 4009  | " Plate Screw .....   |
| 1239D | 14989 | Knife Bar Connecting Link Hinge Cap Screw .....                               |
| 1240C | 14989 | Knife Bar Connecting Link Hinge Screw .....                                   |
| 1241E | 14989 | Knife Bar Disengaging Lever Catch Spring Screw Stud .....                     |
| 1242E | 14989 | Knife Bar Disengaging Lever Screw Stud, for 249656 .....                      |
| 1242E | 14989 | Knife Bar Disengaging Lever Spring Screw, for 249658 .....                    |
| 1243C | 14991 | Knife Holder Guide Stud .....   |
| 1253C | 4023  | Oscillating Shaft Crank Set Screw, for 39658 .....                            |
| 1256D | 4008  | Clamp Carrier Slide Screw .....   |
| 1258C | 4023  | Thread Take-up Crank Set Screw, for 23477 .....                               |
| 1294C | 4009  | Clamp Spring Bushing Position Stud  |
| 1296C | 4066  | " Check Screw .....   |
| 1296C | 4066  | " " Stop Screw .....  |
| 1319F | 14989 | Knife Bar Connecting Stud Clamping Screw, for 23462 .....                     |
| 1330C | 14982 | Barring Lever Spring Screw Stud   |
| 1341C | 14993 | Needle Bar Connecting Stud Set Screw, for 39601 .....                         |
| 1387C | 14998 | Tension (top cover) Releaser Guide Screw Stud .....                           |
| 1388C | 14998 | Tension (top cover) Screw Stud ..   |
| 1396E | 14989 | Intermittent Feed Wheel Driving Bevel Gear Bracket Screw .....                |
| 1428C | 14991 | Knife Bar Driving Lever Screw Stud  |
| 1478C | 14982 | Barring Lever Hinge Screw .....   |

## Numerical List of Parts

| No.   | Plate | Name  |
|-------|-------|---|
| 1508E | 14994 | Starting Lever Screw Center Nut, for 58384 .....                    |
| 1517J | 14994 | Needle Bar Frame Screw Center Nut                                   |
| 1518J | 4025  | Starting Lever Stop Screw Nut ...                                   |
| 1520J | 14987 | Clamp Carrier Regulator Roller and Screw Stud Nut, for 1960 .....   |
| 1520J | 14987 | Clamp Carrier Slide Lever Roller and Screw Stud Nut, for 1960 ..    |
| 1520J | 14987 | Knife Bar Driving Lever Screw Stud Nut .....                        |
| 1520J | 14987 | Starting Lever Adjusting Screw Nut                                  |
| 1521E | 14998 | Tension (top cover) Releaser Guide Screw Stud Nut .....             |
| 1547J | 4009  | Clamp Arm Adjusting Screw Nut ..                                    |
| 1547J | 4009  | Knife Bar Disengaging Lever Catch Hinge Screw Nut .....             |
| 1547J | 4009  | Knife Holder Screw Nut .....  |
| 1547J | 4009  | Needle Bar Frame Pitman Hinge Screw Nut .....                       |
| 1550J | 4009  | Clamp Spring Bushing Position Stud Nut .....                        |
| 1560C | 15017 | Tension (side of arm) Disc Regulating Thumb Nut .....               |
| 1560C | 15017 | Tension (top cover) Regulating Thumb Nut .....                      |
| 1562J | 4024  | Bobbin Winder Tension Regulating Thumb Nut, for 5989 .....          |
| 1607E | 14982 | Barring Slide Operating Plate Adjusting Screw Nut .....             |
| 1608C | 14991 | Knife Holder Guide Stud Nut ....                                    |
| 1619E | 4025  | Crank Connecting Rod Hinge Screw Nut .....                          |
| 1620J | 14989 | Bobbin Winder Frame Hinge Screw Nut, for 249718 .....               |
| 1620J | 14989 | Bobbin Winder Thread Leader Lock Nut, for 249697 .....              |
| 1620E | 14989 | Feed Wheel Tripping Lever Hinge Screw Nut .....                     |
| 1636E | 14994 | Oscillating Shaft Crank Slide Block Screw Stud Nut, for 39658 ..... |
| 1638E | 14996 | Stop Cam Interlocking Rod Spring Regulating Thumb Screw Nut ..      |
| 1658C | 4008  | Clamp Carrier Slide Regulating Stud Thumb Nut .....                 |
| 1659C | 4009  | Clamp Pressure Regulating Thumb Nut .....                           |
| 1664E | 4007  | Tension (top cover) Screw Stud Nut                                  |
| 1664E | 4007  | Thread Retainer Holder Nut, for 39714 .....                         |

## Numerical List of Parts

| No.   | Plate | Name   |
|-------|-------|--|
| 1671c | 4009  | Clamp Carrier Regulator Stud Nut   |
| 1698c | 14993 | Needle Bar Frame Regulator Adjusting Screw Nut   |
| 1959  | 14991 | Knife Bar Driving Lever (Intermediate) Roller and Screw Stud with 229b and 12424, for 249817.. |
| 1960  | 4007  | Clamp Carrier Regulator Roller and Screw Stud with 1520j, for 249623                           |
| 1960  | 4007  | Clamp Carrier Slide Lever Roller and Screw Stud with 1520j, for 249625                         |
| 1963  | 14989 | Knife Bar Disengaging Lever Catch Roller and Stud, for 249657                                  |
| 2102  | 15017 | Tension (side of arm) Disc   |
| 2269  | 14978 | Belt Shifter Shaft Guide Collar Position Pin   |
| 2269  | 14978 | Shuttle Driver Pin   |
| 2455  | 4024  | Bobbin Winder Tension Disc, for 5989   |
| 2523  | 14995 | Shuttle Bobbin Case Position Finger Rivet, for 23502   |
| 2532  | 14978 | Shuttle Race Back Position Pin, for 39982  |
| 2533  | 14995 | Shuttle Race Back Spring, for 39982  |
| 2973  | 14995 | " Bobbin Case Latch Lever, for 15141   |
| 2974  | 14995 | Shuttle Bobbin Case Latch Lever Fulcrum Pin, for 15141   |
| 2975  | 14995 | Shuttle Bobbin Case Latch Spring, for 23502  |
| 3012  | 14989 | Feed Hand Ratchet Wheel Pin  |
| 4784  | ---   | Oscillating Rock Shaft Oil Pad, for 39654  |
| 4784  | ---   | Thread Take-up Lever Oil Pad, for 23478  |
| 5989  | ---   | Bobbin Winder Tension complete, Nos. 418b, 1562j, 10141 and two 2455, for 249697               |
| 7070  | 4007  | Needle Bar Frame Regulator Adjusting Screw Sleeve  |
| 7071  | 4008  | Needle Bar Frame Pitman Adjusting Screw Washer, for 23611                                      |
| 7278  | 4008  | Clamp Carrier Slide Lever Socket Joint   |
| 7326  | 14978 | Shuttle Race Cap, for 39980  |
| 7585  | 15009 | Treadle Shaft, for 14358   |
| 8238  | 15017 | Tension (top cover) Spring   |

## Numerical List of Parts

| No.   | Plate | Name   |
|-------|-------|--|
| 8582  | 14985 | Arm Dowel Pin  |
| 8582  | 14985 | Starting Lever Bracket Dowel Pin   |
| 8909  | 15007 | Wrench   |
| 9525  | 4083  | Knife Grinder Knife Holder Thumb Screw Washer, for 39898                           |
| 10141 | 4024  | Bobbin Winder Tension Spring, for 5989   |
| 10145 | 4024  | Bobbin Winder Tension Thread Guide, for 249697                                     |
| 10249 | 4083  | Knife Grinder Knife Holder Slide Bracket Adjusting Screw Tension Spring, for 39898 |
| 10875 | 15007 | Wrench   |
| 11204 | 4023  | Thread Take-up Lever Link Hinge Pin  |
| 11831 | 15007 | Screw Driver, 5 in. Blade (machine, large)   |
| 12166 | 4023  | Thread Take-up Lever Hinge Pin, for 23525  |
| 12400 | 15018 | Thread Retainer Sleeve, for 39714  |
| 12402 | 15018 | " " Stud, for 39714  |
| 12424 | 14991 | Knife Bar Driving Lever (intermediate) Roller Cap Screw Washer, for 1959           |
| 12424 | 14991 | Oscillating Shaft Crank Slide Block Cap Screw Washer, for 24050                    |
| 12546 | 14989 | Intermittent Feed Wheel Position Pin   |
| 12546 | 14989 | Needle Vibrating Gear Position Pin   |
| 13218 | 14987 | Feed Hand Ratchet Lever Pawl Spring, for 39997                                     |
| 14010 | 4024  | Bed Frame Hinge Plate Rivet, for 249721  |
| 14209 | 15019 | Treadle, for 14358   |
| 14229 | 4047  | Table Belt Guide Bracket with 448c, for 39716 and 39709                            |
| 14357 | 15019 | Treadle Stand, for 14358   |
| 14358 | 15019 | Treadle complete, Nos. 7585, 14209, 14357 and two wood screws 1 1/2 in., No. 12    |
| 15072 | 4024  | Bobbin Winder Bobbin Position Pin, for 27538                                       |
| 15140 | 14995 | Shuttle Bobbin Case Latch, for 15141   |
| 15141 | ---   | Shuttle Bobbin Case Hinge, Nos. 2973, 2974 and 15140, for 23502                    |
| 16555 | 4024  | Bed Frame Hinge Plate, for 249721  |
| 19226 | 4024  | " " " Connection, for 19398  |



## Numerical List of Parts

| No.    | Plate | Name   |
|--------|-------|--|
| 23611  | 14993 | Needle Bar Frame Pitman (adjustable) complete, Nos. 23609, 23610, two each 190c and 7071 .....   |
| 23624  | 14994 | Starting Lever Spring .....  |
| 23669  | 15018 | Thread Guide (side of arm) (lower)   |
| 23680  | 15017 | Shuttle Tension Spring, for 23502..  |
| 23681  | 14991 | Knife Bar Driving Lever Spring ..  |
| 23693y | 4009  | Clamp Spring Bushing .....   |
| 23694y | 15018 | Tension (side of arm) Releaser Shaft Arm Connection .....  |
| 23695y | 15018 | Tension (side of arm) Releaser Shaft Arm Connection Bracket..                                    |
| 24028  | 14986 | Crank Connecting Rod with 24085 and two 896E .....   |
| 24047  | 14994 | Oscillating Shaft Bushing (front)..  |
| 24050  | —     | Oscillating Shaft Crank Slide Block complete, Nos. 226D, 1035c, 12424 and 19448, for 39658 ..... |
| *24081 | —     | Arm Shaft Bushing (front), for 249601 .....  |
| *24085 | —     | Crank Connecting Rod Cap, for 24028 .....  |
| 24106  | 4024  | Bed Frame Cushion (felt), for 249721 .....   |
| 26026  | 15007 | Screw Driver (machine, small), Nos. 120088 and 120090 .....                                      |
| 27538  | 15008 | Bobbin Winder Spindle with 15072, 27850 and 41828, for 249718 .....                              |
| 27739  | 15007 | Thread Cone (wood) .....   |
| *27850 | —     | Bobbin Winder Spindle Collar, for 27538 .....  |
| 27916  | 4024  | Bobbin Winder Brake (leather), for 249714 .....  |
| 27918  | 15008 | Bobbin Winder Pulley, for 249718 ..  |
| 27922  | 15008 | " " Thread Eyelet Rod, for 249697 .....  |
| 28084  | 4024  | Bobbin Winder Brake Rivet, for 249714 .....  |
| 32012  | 14998 | Tension (top cover) Disc .....   |
| 32572  | 14998 | " " " Releasing Disc ..  |
| 39504  | 14994 | Needle Bar Frame Regulator Adjusting Screw Washer .....  |
| 39523  | 14987 | Feed Hand Ratchet Lever Pawl Point, for 39996 .....  |
| 39532  | 4009  | Clamp Carrier Regulator Stud Sleeve .....  |
| 39541  | 14987 | Clamp Arm Bracket Screw Washer   |

## Numerical List of Parts

| No.    | Plate | Name   |
|--------|-------|--|
| 39541  | 14987 | Tension (side of arm) Releaser Shaft Arm Connection Screw Washer .....                                 |
| 39549y | 15019 | Clamp Lifting Arm .....  |
| 39569  | 15019 | Treadle Chain, 45 in. long, with 39575 and 39576 .....   |
| 39570  | 4047  | Treadle Chain Guide Bracket, for 39572 .....   |
| 39571  | 4047  | Treadle Chain Guide Pulley, for 39572 .....  |
| 39572  | 4047  | Treadle Chain Guide complete, Nos. 39570, two each 1064D, 39571 and wood screws 1½ in., No. 12, R.H.B. |
| 39575  | 4024  | Treadle Chain Hook (lower), for 39569 .....  |
| 39576  | 4024  | Treadle Chain Hook (upper), for 39569 .....  |
| 39583  | 14987 | Clamp Carrier Regulator Stud Stop, for 249623 .....  |
| 39584y | 14984 | Clamp Arm Bracket with 196E .....  |
| 39591  | 14987 | " Carrier Guide (left), for 39613  |
| 39601  | 14993 | Needle Bar Connecting Stud with 1341c .....  |
| 39613  | 15019 | Clamp Carrier Slide with 39591 and three 756D .....  |
| 39620  | 14984 | Arm Side Cover .....   |
| 39633  | 14998 | Tension (top cover) Releasing Lever .....  |
| 39635  | 14998 | Tension (top cover) Releasing Pin  |
| 39636  | 14998 | " " " Thread Eyelet (double) .....   |
| 39647y | 4066  | Clamp Arm .....  |
| 39650  | 4066  | " Check Holder, for use with 249815 .....  |
| 39652  | 4009  | Thread Take-up Spring .....  |
| 39653  | 14990 | Oscillating Rock Shaft, for 39654 ..   |
| 39654  | —     | Oscillating Rock Shaft complete, Nos. 4784, 23494 and 39653 .....                                      |
| 39655  | 14990 | Oscillating Shaft .....  |
| 39656  | 4023  | " " Bushing (back) ..  |
| 39657  | —     | " " Crank, for 39658..   |
| 39658  | 4023  | Oscillating Shaft Crank complete, Nos. 1636E, 24050, 39657 and two 1253c .....                         |
| 39675  | 14994 | Starting Lever Spring Collar with two 191c .....   |
| 39707  | 15017 | Clamp Check Holder (for use with 249884) .....   |

## Numerical List of Parts

| No.    | Plate | Name   |
|--------|-------|--|
| 39708  | 4047  | Table Belt Guide Pulley Shaft with 858c, for 39716 and 39709 .....   |
| 39709  | 4047  | Table Belt Guide (single, right) complete, Nos. 14229, 23536, 23538, 39708 and four wood screws 1 1/2 in., No. 12, R.H.B. .... |
| 39711  | 4007  | Thread Guiding Stud (side of arm)  |
| 39712  | 4007  | " Retainer Holder with 462c, for 39714 .....   |
| 39713  | 4007  | Thread Retainer Spring, for 39714  |
| 39714  | —     | Thread Retainer complete, Nos. 1664E, 12400, 12402, 39712 and 39713 .....  |
| 39715y | 4066  | Clamp Check Holder Stop Screw Washer .....   |
| 39716  | 4047  | Table Belt Guide (single, left) complete, Nos. 14229, 23536, 23538, 39708 and four wood screws 1 1/2 in., No. 12, R.H.B. ....  |
| 39857  | 14990 | Needle Bar with 904F .....   |
|        |       | Nos. 39886 to 39897, for 39898   |
| 39886  | —     | Knife Grinder Emery Wheel, 4 in. diameter .....  |
| 39887  | 4083  | Knife Grinder Emery Wheel Driving Shaft .....  |
| 39888  | 4083  | Knife Grinder Emery Wheel Driving Shaft Oil Hole Cover .....   |
| 39889  | 15019 | Knife Grinder Frame .....  |
| 39890  | 4086  | " " Knife Holder (adjustable) .....  |
| 39891  | 4083  | Knife Grinder Knife Holder Indicator .....   |
| 39892  | 4086  | Knife Grinder Knife Holder Slide Bracket with 200386c .....  |
| 39893  | 4086  | Knife Grinder Knife Holder Slide Bracket Adjusting Screw Slide Plate .....   |
| 39894  | 4086  | Knife Grinder Knife Holder Slide Bracket Shaft .....   |
| 39895  | 4083  | Knife Grinder Knife Holding Spring   |
| 39896  | 4083  | " " " " " Bracket .....  |
| 39897  | 4083  | Knife Grinder Knife Stop (adjustable) .....  |

## Numerical List of Parts

| No.    | Plate | Name  |
|--------|-------|---|
| 39898  | —     | Knife Grinder complete, Nos. 57c, 176b, 208b, 219c, 771b, 793b, 9525, 10249, 39886 to 39897, 200165b, 201298c, 201510b, 203094, 204101, 206963, 350068E, two each 200577b, 204264, 206232, 206969 and three wood screws 1 1/2 in., No. 12 ..... |
| 39912  | 4083  | Splash Guard Hinge, for 249723 ...  |
| 39924  | 14984 | Feed Hand Ratchet Wheel with 460c   |
| 39950  | 15018 | Thread Take-up Spring Regulator with 350060c .....  |
| 39954  | 14984 | Clamp Carrier .....   |
| 39969  | 14978 | Shuttle Race Back, for 39982 .....  |
| 39979  | —     | " " Body, for 39980 .....   |
| 39980  | 14995 | " " " 39979 with 7326, 39981, two each 391a and 662b, for 39982 .....   |
| 39981  | 14978 | Shuttle Race Ring, for 39980 .....  |
| 39982  | 14978 | Shuttle Race complete, Nos. 648b, 2533, 39969, 39980 and two 2532 ..  |
| 39988  | —     | Stop Cam Interlocking Rod Guide Washer (rawhide) .....  |
| 39994  | 14988 | Feed Hand Ratchet Lever, for 39997  |
| 39995  | 14988 | " " " " Pawl Body, for 39996 .....  |
| 39996  | —     | Feed Hand Ratchet Lever Pawl complete, Nos. 207E, 39523, 39995 and two 1049E, for 39997 .....   |
| 39997  | 14988 | Feed Hand Ratchet Lever complete, Nos. 90b, 13218, 39994 and 39996  |
| 40003y | 14987 | Clamp Arm Bracket Guide (left) ..   |
| 40004y | 14987 | " " " " (right) ..  |
| 40006  | 14987 | " Carrier Block with 40007 and four 404b .....  |
| 40007  | 14987 | Clamp Carrier Block Plate, for 40006  |
| 40020y | 14983 | " Plate .....   |
| 40025  | 14987 | Feed Driving Gear Position Pin ...  |
| 40025  | 14987 | Intermittent Feed Wheel Driving Bevel Pinion Position Pin .....   |
| 40025  | 14987 | Pulley (tight) Pin .....  |
| 40043  | 14998 | Tension (top cover) Releaser Rod Collar with 209c .....   |
| 41401  | 15007 | Machine Rest Pin (wood), 5 1/2 in. long .....   |
| 41828  | —     | Bobbin Winder Spindle Collar Pin, for 27538 .....   |
| 42850  | 15007 | Wrench .....  |
| 46387  | —     | Tension (side of arm) Spring .....  |



## Numerical List of Parts

| No.     | Plate | Name  |
|---------|-------|---|
| 50140F  | 14993 | Needle Bar Frame Connection Hinge Screw .....   |
| 50356D  | 15009 | Bobbin Winder Frame Hinge Screw, for 249718 .....   |
| 50416C  | 14989 | Knife Bar Disengaging Lever Catch Hinge Screw .....   |
| 51047E  | 14985 | Belt Shifter Shaft Bracket Extension Pinch Screw, for 249858 ....                           |
| 58384   | —     | Starting Lever Screw Center 564C with 1508E .....   |
| 60913   | 14263 | Thread Unwinder Spool Weight with 60914 .....   |
| 60914   | —     | Thread Unwinder Spool Weight Center Pin, for 60913 .....                                    |
| 120088  | —     | Screw Driver Blade, for 26026 ....  |
| 120090  | —     | " Handle, for 26026 ....  |
| 120346  | 4104  | Oiler (copper plated) with 120347 ..  |
| 120347  | 4104  | " Spout (9 in. long), for 120346 ..   |
| 200068H | 14993 | Needle Bar Frame Driving Gear Screw .....   |
| 200108D | 14996 | Stop Cam Spring Cover Screw ....  |
| 200137H | 15009 | Gauge Chain and Ring Screw, for 249698 and 249889 .....                                     |
| 200165H | 11658 | Knife Grinder Knife Holder Indicator Screw, for 39898 .....                                 |
| 200383C | 15009 | Thread Unwinder Spool Rest Rod Set Screw, for 202490 .....                                  |
| 200386C | 11658 | Knife Grinder Knife Holder Slide Bracket Set Screw, for 39892 ....                          |
| 200403C | 11658 | Knife Grinder Emery Wheel Driving Shaft Pulley Set Screw, for 206963 .....                  |
| 200502B | 14985 | Arm Shaft Bushing Oil Packing Thumb Screw .....   |
| 200522C | 14996 | Stop Cam Gear Stud Set Screw ...  |
| 200574E | 11658 | Splash Guard Hinge Screw, for 249723 .....  |
| 200577H | 11658 | Knife Grinder Knife Holder Slide Bracket Adjusting Screw Slide Plate Screw, for 39898 ..... |
| 201018C | 15009 | Thread Unwinder Spool Rest Set Screw, for 225325 .....                                      |
| 201052C | 11658 | Knife Grinder Knife Holder Slide Bracket Shaft Collar Set Screw, for 206232 .....           |
| 201298C | 11658 | Knife Grinder Knife Holder Slide Bracket Adjusting Screw, for 39898 .....                   |

## Numerical List of Parts

| No.     | Plate | Name  |
|---------|-------|---|
| 201510D | 11658 | Knife Grinder Emery Wheel Driving Shaft Nut, for 39898 .....                        |
| 201510C | 11658 | Knife Bar Driving Lever Hinge Screw Stud Nut .....                                  |
| 201655J | 11658 | Splash Guard Locking Screw Wing Nut, for 249722 .....                               |
| 201660C | 14996 | Stitch Regulating Gear Lock Nut...  |
| 201668E | 14988 | Feed Wheel Clamping Nut .....   |
| 201696J | 15009 | Thread Unwinder Thread Guide Lock Nut, for 225396 .....                             |
| 201713C | 14982 | Barring Shaft Adjusting Lock Nut  |
| 201714C | 14991 | Knife Bar Stop Lock Nut, for 249664   |
| 201715C | 14993 | Needle Bar Frame Driving Gear (intermediate) Clamping Nut ..                        |
| 201891  | 14989 | Intermittent Feed Wheel Driving Roller, for 201985 .....                            |
| 201985  | 14989 | Intermittent Feed Wheel Driving Roller 201891 with 229D, 23389 and 249699 .....     |
| 202005  | 14994 | Starting Lever Spring Washer .....  |
| 202260  | —     | Arm Shaft Bushing Oil Packing (wick) .....  |
| 202330  | —     | Stop Cam Oil Packing (wick), for 249705 .....                                       |
| 202490  | 14263 | Thread Unwinder Spool Stand with 200383C, for 225396 .....                          |
| 203094  | 11658 | Knife Grinder Knife Holder Indicator Position Pin, for 39898 ....                   |
| 204101  | 11658 | Knife Grinder Emery Wheel Driving Shaft Nut Washer, for 39898                       |
| 204264  | 11658 | Knife Grinder Knife Holding Spring Bracket Position Pin, for 39898..                |
| 204264  | 11658 | Knife Grinder Knife Holding Spring Position Pin, for 39898 .....                    |
| 205634  | 14991 | Knife Bar Driving Lever (intermediate) Hinge Screw Stud Washer                      |
| 206232  | 11658 | Knife Grinder Knife Holder Slide Bracket Shaft Collar with 201052C, for 39898 ..... |
| 206963  | 11658 | Knife Grinder Emery Wheel Driving Shaft Pulley with 200403C, for 39898 .....        |
| 206969  | —     | Knife Grinder Emery Wheel Washer (paper), for 39898 .....                           |
| 225322  | 15009 | Thread Unwinder Thread Guide Rod Washer, for 225324 .....                           |

## Numerical List of Parts

| No.                               | Plate | Name  |
|-----------------------------------|-------|---|
| Nos. 225324 to 225326, for 225396 |       |   |
| 225324                            | 14263 | Thread Unwinder Thread Guide Rod with 208E and 225322 .....   |
| 225325                            | 14263 | Thread Unwinder Spool Rest (for two spools) with 201018c .....  |
| 225326                            | 15009 | Thread Unwinder Thread Guide Position Cup .....   |
| 225377                            | 14263 | Thread Unwinder Spool Wire, for small spools .....  |
| 225388                            | 14263 | Thread Unwinder Spool Rest Rod, for 225396 .....  |
| 225391                            | 14263 | Thread Unwinder Thread Guide, for 225396 .....  |
| 225396                            | 14263 | Thread Unwinder (for two spools) complete, Nos. 201696J, 202490, 225324 to 225326, 225388, two 225391 and three wood screws $\frac{3}{4}$ in., No. 12 ..... |
| *225483                           | —     | Screw Driver Handle, for 250522 ..  |
| 232131                            | 14987 | Feed Driving Gear (intermediate) Bracket Position Lever Clamping Screw Washer .....   |
| 232344                            | 15018 | Tension (side of arm) Releaser Shaft Arm Pin .....  |
| 232719                            | 14987 | Feed Driving Gear (intermediate) Position Pin .....   |
| 235356                            | 14993 | Needle Bar Frame Driving Gear (intermediate) Pin, for 249671 ..   |
| 238089                            | 14989 | Knife Bar Disengaging Lever Catch Bracket Position Pin, for 249658  |
| *249601                           | —     | Arm with 24081 .....  |
| 249602                            | 14983 | " Shaft .....   |
| 249604                            | 14983 | " Top Cover (left) .....  |
| 249605                            | 14983 | " " " (right) .....   |
| 249606                            | 14984 | Barring Lever .....   |
| 249607                            | 14982 | " " Spring .....  |
| 249608                            | 15017 | " Plate (1st bar) .....   |
| 249610                            | 14982 | " Point .....   |
| 249611                            | 14982 | " Shaft with 452c .....   |
| 249612                            | 14982 | " " Guard .....   |
| 249613                            | 14982 | " Slide .....   |
| 249614                            | 14982 | " " Operating Plate (stationary) .....  |
| 249615                            | 14982 | Barring Slide Operating Rod .....   |
| 249616                            | 14982 | " " " " Stud .....  |
| 249619                            | 14982 | " " Stop .....  |
| *249620                           | —     | Bed .....   |

## Numerical List of Parts

| No.    | Plate | Name  |
|--------|-------|---|
| 249622 | 14984 | Arm Shaft Flanged Bushing (back)  |
| 249623 | 14984 | Clamp Carrier Regulator with 240D, 1960 and 39583 .....                                 |
| 249625 | 14986 | Clamp Carrier Slide Lever with 1960   |
| 249631 | 14983 | Face Plate .....  |
| 249635 | 14986 | Feed Driving Gear (intermediate) Bracket Position Lever .....                           |
| 249638 | 15019 | Feed Wheel with 249641 and two 220D, for $\frac{3}{8}$ to $\frac{1}{2}$ in. buttonholes |
| 249639 | 14983 | Feed Wheel Shaft .....  |
| 249640 | 14988 | " " Tripping Lever .....  |
| 249641 | 14989 | " " " Point, for 249638 and 249886 .....  |
| 249642 | 14988 | Intermittent Feed Wheel with two 350249E .....  |
| 249643 | 14988 | Intermittent Feed Wheel Driving Bevel Gear with two 200E .....                          |
| 249644 | 14988 | Intermittent Feed Wheel Driving Bevel Gear Bracket .....                                |
| 249645 | 14988 | Intermittent Feed Wheel Driving Bevel Pinion with two 453c .....                        |
| 249646 | 14988 | Intermittent Feed Wheel Shaft ..  |
| 249655 | 15019 | Belt Shifter Shaft Bracket Stop Plate .....   |
| 249656 | 14988 | Knife Bar Disengaging Lever with 1242E .....  |
| 249657 | 14988 | Knife Bar Disengaging Lever Catch with 1963 .....                                       |
| 249658 | 14988 | Knife Bar Disengaging Lever Catch Bracket with 1242E and 238089 ..                      |
| 249659 | 14989 | Knife Bar Disengaging Lever Catch Spring .....  |
| 249660 | 14989 | Knife Bar Disengaging Lever Spring  |
| 249661 | 14983 | " " Driving Lever .....   |
| 249662 | 14983 | " " " " (intermediate) .....  |
| 249663 | 14991 | Knife Bar Stop, for 249664 .....  |
| 249664 | —     | Knife Bar Stop complete, Nos. 201714c, 249663 and 249870 .....                          |
| 249666 | 14990 | Needle Bar Frame Connection .....   |
| 249667 | 14993 | " " " Driving Gear .....  |
| 249668 | 14994 | " " " Regulator Hinge Stud .....  |
| 249669 | 14990 | Needle Bar Frame Driving Gear (intermediate) Bracket with 1149c                         |
| 249670 | 14993 | Needle Bar Frame Driving Gear (intermediate) Stud .....                                 |
| 249671 | 14993 | Needle Bar Frame Driving Gear (intermediate) (large) with 235356                        |

## Numerical List of Parts

| No.    | Plate | Name  |
|--------|-------|---|
| 249672 | 14993 | Needle Bar Frame Driving Gear (intermediate) (small) .....                                      |
| 249673 | 14993 | Needle Bar Frame Regulator .....  |
| 249674 | 14990 | " Vibrating Gear with two 350249E .....   |
| 249675 | —     | Stitch Regulating Gear, 18 teeth ..   |
| 249677 | —     | " " " 20 teeth ..   |
| 249679 | 14994 | " " " 24 teeth ..   |
| 249682 | —     | " " " 30 teeth ..   |
| 249685 | 14998 | Tension (top cover) Releaser ....   |
| 249686 | 14998 | " " " " Holder with 201F .....  |
| 249687 | 14998 | Tension (top cover) Releaser Rod ..   |
| 249688 | 14998 | " " " Releasing Lever Connection .....  |
| 249689 | 15018 | Tension (top cover) Releaser (last side of buttonhole) .....                                    |
| 249690 | 15018 | Tension (top cover) Releaser Holder Plate .....   |
| 249692 | 15018 | Thread (upper) Guide .....  |
| 249693 | 14989 | Bobbin Winder Thread Leader, for 249697 .....   |
| 249696 | 15008 | Bobbin Winder Tension Bracket with 452c, for 249697 .....                                       |
| 249697 | —     | Bobbin Winder Tension Bracket complete, Nos. 1620J, 5989, 10145, 27922, 249693 and 249696 ..... |
| 249698 | 15018 | Gauge, for setting length of buttonhole, with 200137H and 249789 ..                             |
| 249699 | 14989 | Intermittent Feed Wheel Driving Roller Stud, for 201985 .....                                   |
| 249700 | 14990 | Pulley (loose) .....  |
| 249702 | 14990 | " (tight) with 454c .....   |
| 249704 | 14983 | Starting Lever Bracket .....  |
| 249705 | 14996 | Stop Cam with two 202330 .....  |
| 249706 | 14992 | " " Gear .....  |
| 249707 | 14992 | " " " Guard .....   |
| 249708 | 14992 | " " " Stud .....  |
| 249711 | 14992 | " " Spring Cover .....  |
| 249713 | 14996 | " " " Stop Screw Block with 457c .....  |
| 249714 | 15008 | Bobbin Winder Base with 27916 and two 28084, for 249718 .....                                   |
| 249715 | 15008 | Bobbin Winder Frame, for 249718 ..  |
| 249716 | 15009 | " " " Spring, for 249718 .....  |
| 249717 | 15008 | Bobbin Winder Stop Latch, for 249718 .....  |

## Numerical List of Parts

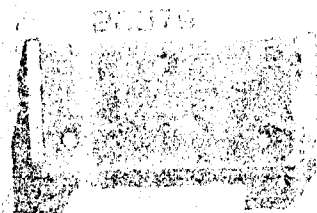
| No.    | Plate | Name   |
|--------|-------|--|
| 249718 | 15008 | Bobbin Winder complete, Nos. 35D, 1620J, 27538, 27918, 50356D and 249714 to 249717 .....                                     |
| 249721 | —     | Bed Frame with two each 16555, 19398, four each 158E, 24106, six 14010 and four wood screws 14 in., No. 12, for 249723 ..... |
| 249722 | —     | Splash Guard with 201655J, for 249723 .....  |
| 249723 | —     | Bed Frame and Splash Guard complete, Nos. 249721, 249722, two 39912 and eight 200574E .....                                  |
| 249725 | —     | Stitch Regulating Gear, 36 teeth ..  |
| 249727 | —     | " " " 40 teeth ..  |
| 249733 | 14986 | Clamp Carrier Regulator Slide ....   |
| 249737 | 14991 | Knife Bar Spring .....   |
| 249738 | 14989 | Intermittent Feed Wheel Shaft Collar .....   |
| 249739 | 14996 | Stitch Regulating Gear Pin .....   |
| 249740 | 14982 | Barring Slide Operating Plate (adjustable) .....   |
| 249741 | 14992 | Stop Cam Interlocking Rod .....  |
| 249742 | 14996 | " " Spring (long) .....  |
| 249744 | —     | Stitch Regulating Gear, 45 teeth ..  |
| 249745 | 14986 | Feed Driving Gear (intermediate) Pinion Shaft Collar with two 458c ..  |
| 249746 | 15007 | Screw Driver, for Needle Bar Connecting Stud Set Screw .....   |
| 249747 | 14990 | Pulley (loose) Bushing .....   |
| 249748 | —     | " " " Oil Packing (felt) .....   |
| 249753 | 14983 | Clamp Carrier Plate .....  |
| 249789 | 15018 | Gauge Chain and Ring, for 249698 and 249889 .....  |
| 249800 | 14998 | Tension (top cover) Releaser Rod Spring .....  |
| 249801 | 15017 | Barring Plate (2nd bar) .....  |
| 249809 | 14994 | Oscillating Shaft Bushing (front) Oil Tube (brass) .....   |
| 249814 | 15019 | Bed Oil Guard with 249883 .....  |
| 249815 | 15017 | Clamp Check, for $\frac{3}{4}$ to 1 in. buttonholes .....  |
| 249816 | 15019 | Starting Lever .....   |
| 249817 | 15017 | Stop Cam Interlocking Rod Guide with 1070c and 1959 .....  |
| 249844 | 14987 | Feed Driving Gear (intermediate) Pinion Shaft Eccentric Bushing Position Plate .....   |

## Numerical List of Parts

| No.     | Plate | Name  |
|---------|-------|---|
| 249846  | 14986 | Feed Driving Gear with two 448c ..  |
| 249847  | 14986 | " " " (Intermediate)<br>with two 457E .....   |
| 249848  | 14986 | Feed Driving Gear (Intermediate)<br>Pinion Shaft .....  |
| 249849  | 14986 | Feed Driving Gear (Intermediate)<br>Pinion Shaft Eccentric Bushing..  |
| 249850  | 14986 | Feed Driving Gear (Intermediate)<br>Bracket .....   |
| 249851  | 14994 | Needle Plate .....  |
| 249852  | 15018 | Knife Holder .....  |
| 249853  | 14985 | Belt Shifter with 350287c .....   |
| 249854  | 14985 | " " Operating Collar with<br>350287c .....  |
| 249855  | 14985 | Belt Shifter Operating Rod .....  |
| 249856  | 14984 | " " Shaft .....   |
| 249857  | 14984 | " " " Bracket .....   |
| 249858  | 14984 | " " " Extension<br>with 51047E .....  |
| 249859  | 14985 | Belt Shifter Shaft Bracket Spring..   |
| 249860  | 14985 | " " " " Stop ....   |
| 249861  | 14985 | " " " Guide Collar with<br>237F .....   |
| 249862  | 14985 | Belt Shifter Shaft Spring .....   |
| 249863  | 14985 | " " Trip Point, for 249869..  |
| 249864  | 14985 | " " " Stud .....  |
| 249868  | 14989 | Feed Wheel Tripping Lever Point..   |
| 249869  | 14990 | Knife Bar Disengaging Lever Catch<br>Tripping Point Collar with 175E,<br>756E, 23466, 249863 and two 448c     |
| 249870  | 14991 | Knife Bar Stop Plug (copper), for<br>249664 .....   |
| 249883  | 14985 | Bed Oil Guard Oil Tube (brass), for<br>249814 .....   |
| 249884  | 15017 | Clamp Check, for $\frac{1}{4}$ to $\frac{1}{2}$ in. button-<br>holes .....                                    |
| 249886  | 15019 | Feed Wheel with 249641 and two<br>220D, for $\frac{1}{2}$ to 1 in. buttonholes ..                             |
| 249889  | —     | Gauge, for setting length of button-<br>hole, with 200137H and 249789, for<br>use with Feed Wheel 249886 .... |
| 250397  | 14993 | Needle Bar Frame Driving Gear<br>(Intermediate) Bracket Position<br>Pin .....                                 |
| 250521  | —     | Screw Driver Blade, for 250522 ...  |
| 250522  | 15007 | " " (for needle set screw)<br>complete, Nos. 225483 and 250521  |
| 350060c | 15017 | Tension (side of arm) Screw Stud<br>Set Screw, for 39950 .....  |

## Numerical List of Parts

| No.     | Plate | Name  |
|---------|-------|---|
| 350068E | 15009 | Knife Grinder Emery Wheel Driv-<br>ing Shaft Oil Hole Cover Screw,<br>for 39898 ..... |
| 350076c | 14987 | Clamp Carrier Regulator Stud (to<br>regulate length of buttonhole) ..                 |
| 350229E | 14982 | Barring Plate Screw .....   |
| 350229E | 14982 | Tension (top cover) Releaser Hol-<br>der Plate Screw .....                            |
| 350230c | 14989 | Intermittent Feed Wheel Driving<br>Bevel Gear Cap Screw .....                         |
| 350237c | 14989 | Feed Wheel Tripping Lever Hinge<br>Screw .....  |
| 350243c | 14991 | Knife Bar Driving Lever (interme-<br>diate) Hinge Screw Stud .....                    |
| 350249E | 14989 | Intermittent Feed Wheel Position<br>Screw, for 249642 .....                           |
| 350249E | 14989 | Needle Vibrating Gear Position<br>Screw, for 249674 .....                             |
| 350253c | 14982 | Barring Slide Operating Plate Ad-<br>justing Screw .....                              |
| 350254E | 14993 | Needle Bar Frame Connection Cap<br>Screw .....  |
| 350281c | 14989 | Knife Bar Driving Lever Hinge<br>Screw .....  |
| 350287c | 14985 | Belt Shifter Operating Collar Set<br>Screw, for 249854 .....                          |
| 350287c | 14985 | Belt Shifter Operating Rod Set<br>Screw .....   |
| 350287c | 14985 | Belt Shifter Set Screw, for 249853..  |
| 350288c | 14985 | " " Shaft Bracket Hinge<br>Screw .....  |
| 350292D | 14985 | Arm Shaft Screw .....   |



2379

196

2380

23712

1910

23713

195

# ILLUSTRATIONS OF PARTS

23784

FOR

## MACHINE

### No. 71-142



132



23711

7070

233





PLATE 4007—FULL SIZE

ILLUSTRATIONS OF PARTS

FOR

MACHINE

NO. 11-142

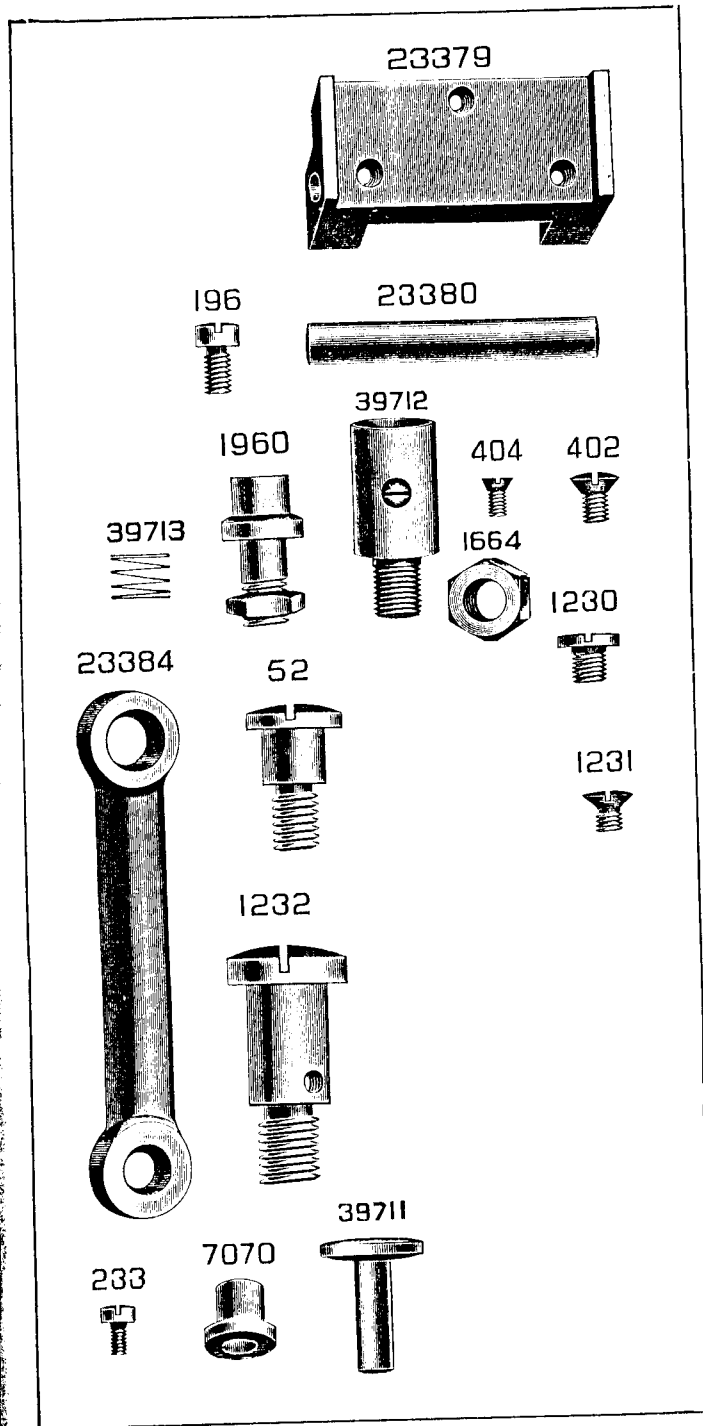


PLATE 4008—FULL SIZE

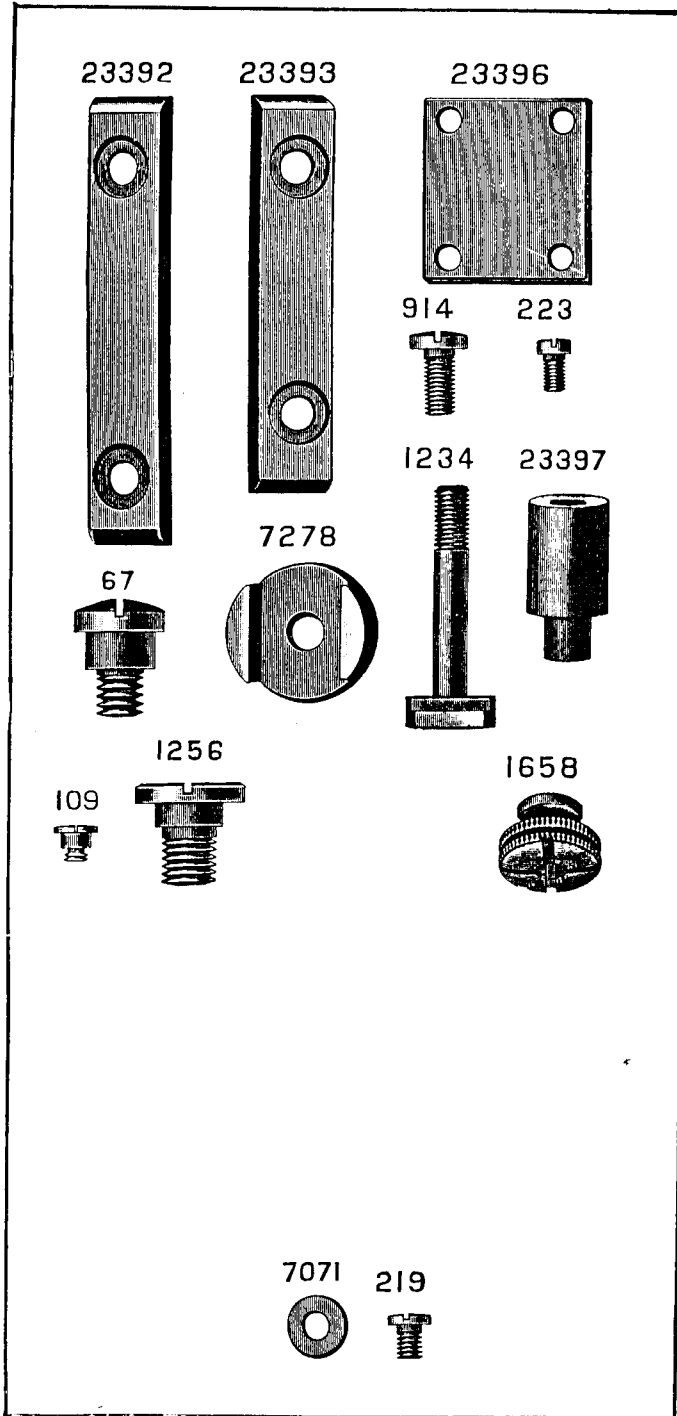


PLATE 4009—FULL SIZE

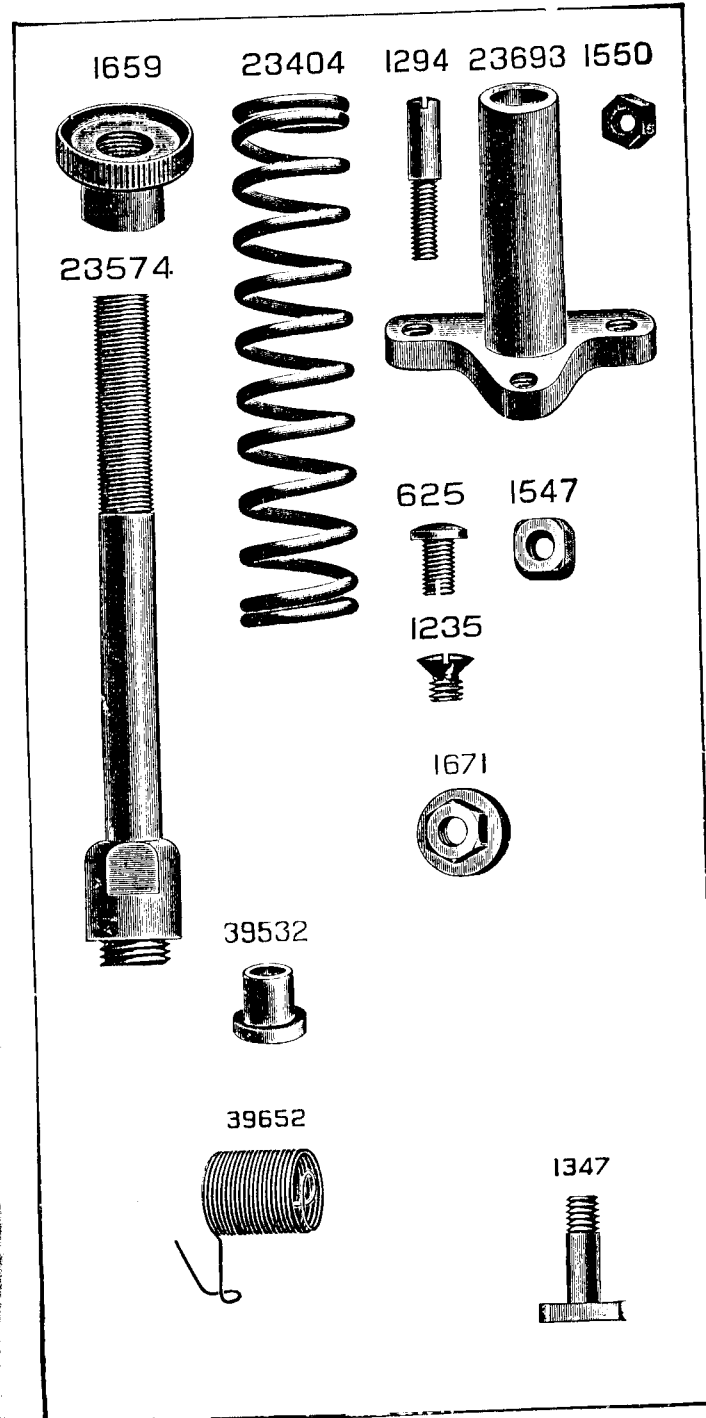


PLATE 4023—FULL SIZE

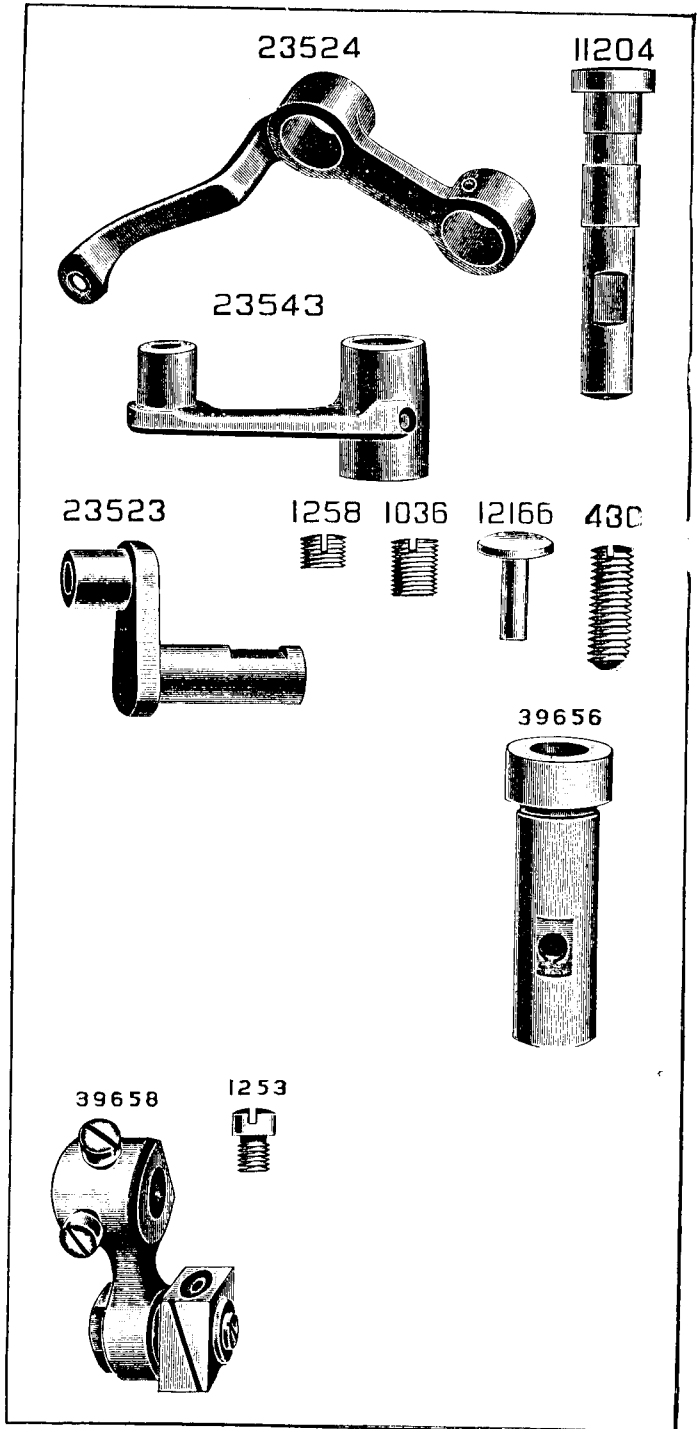
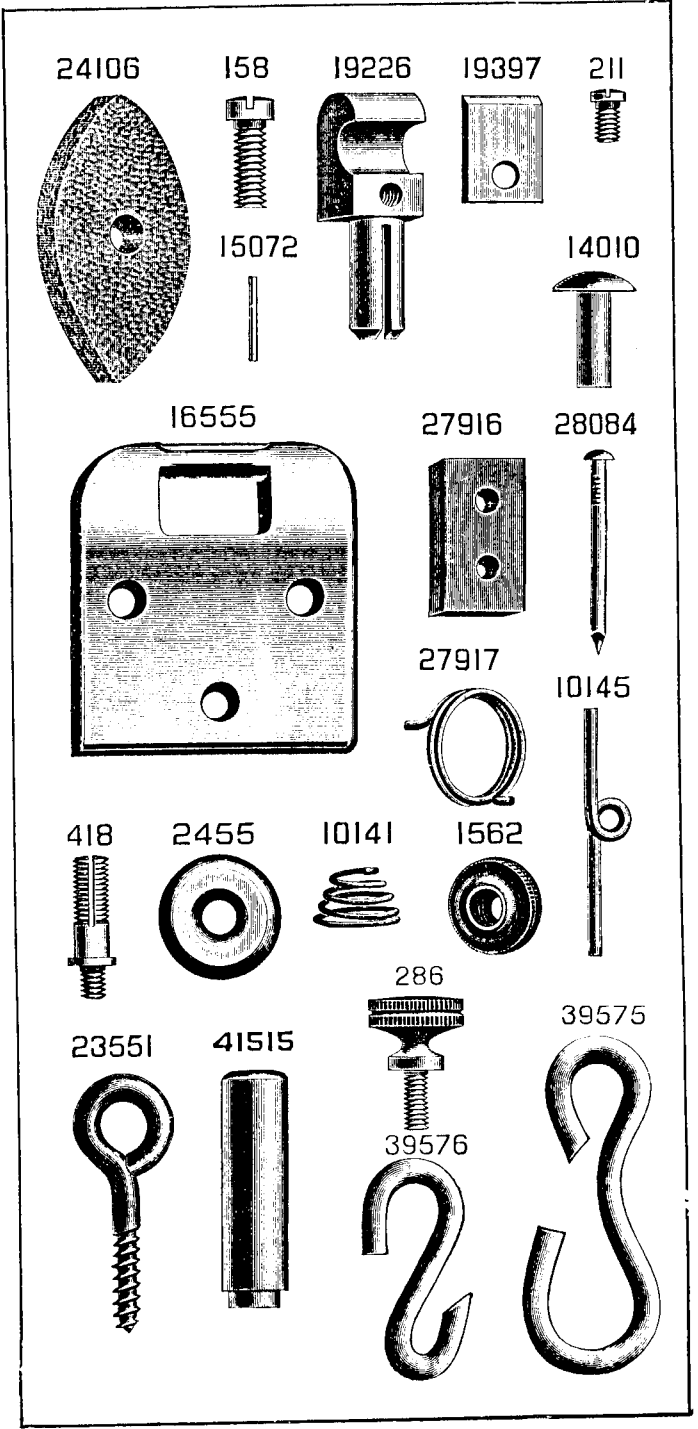


PLATE 4024—FULL SIZE



From the library of: Diamond Needle Corp



PLATE 4025—FULL SIZE

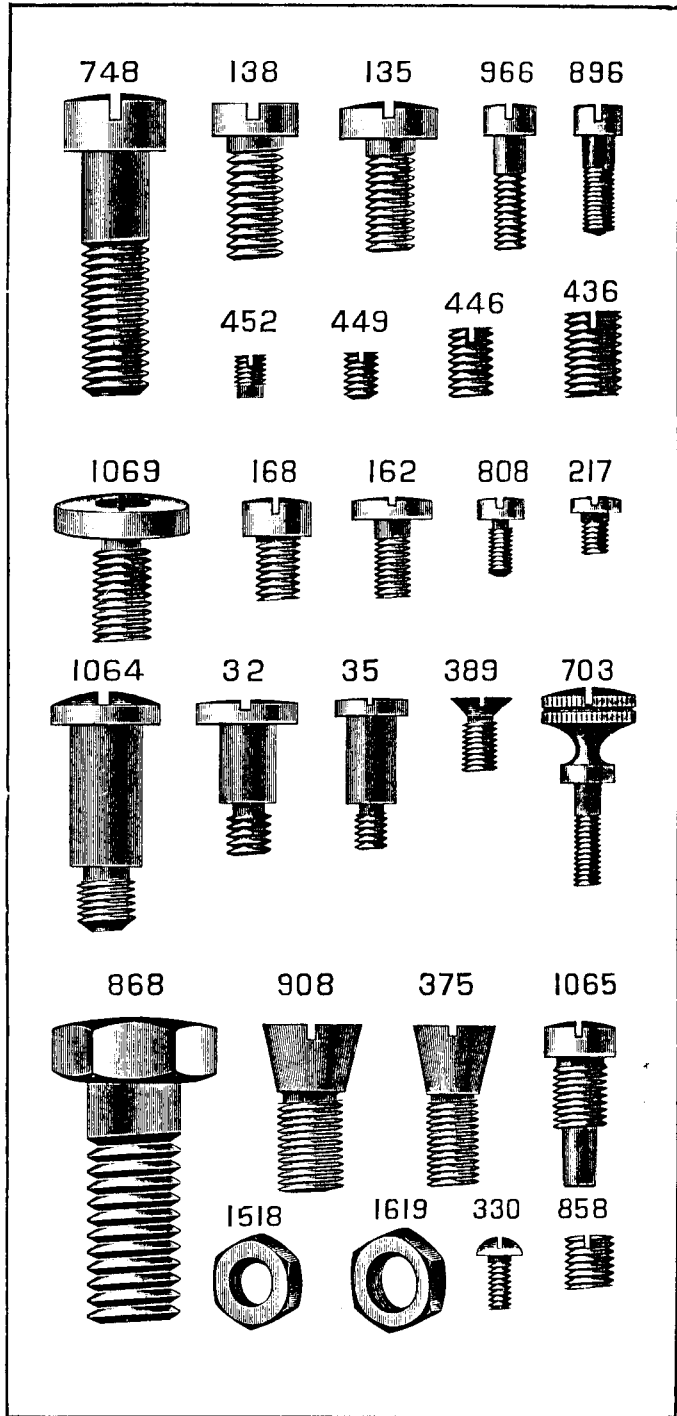


PLATE 4047—ONE-FOURTH SIZE

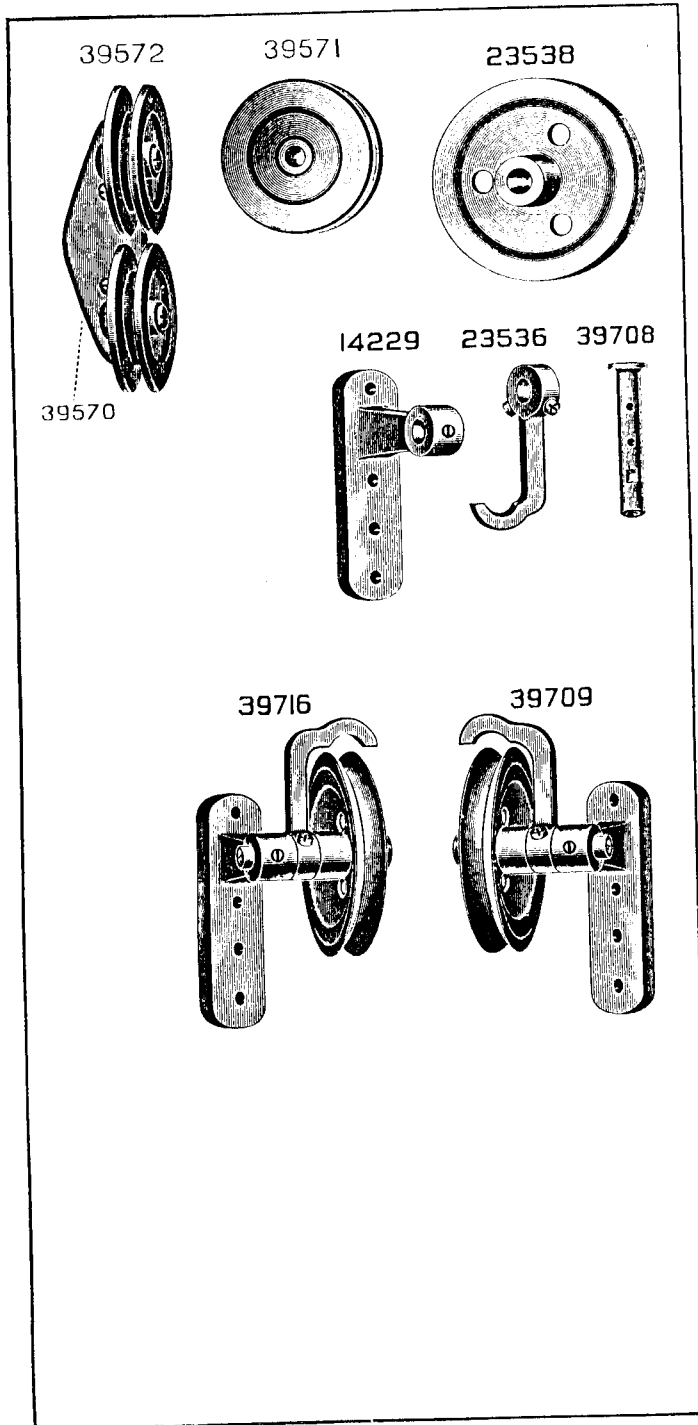




PLATE 4066—FULL SIZE

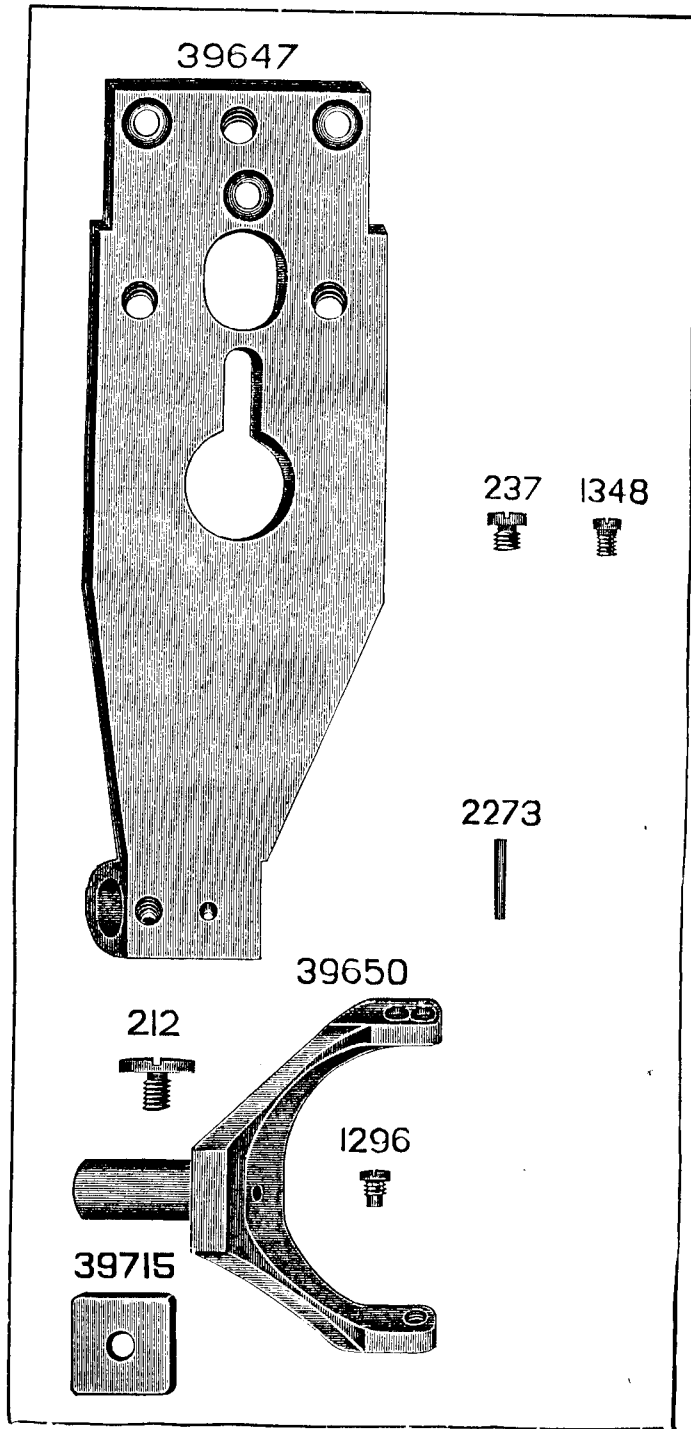


PLATE 4083—FULL SIZE

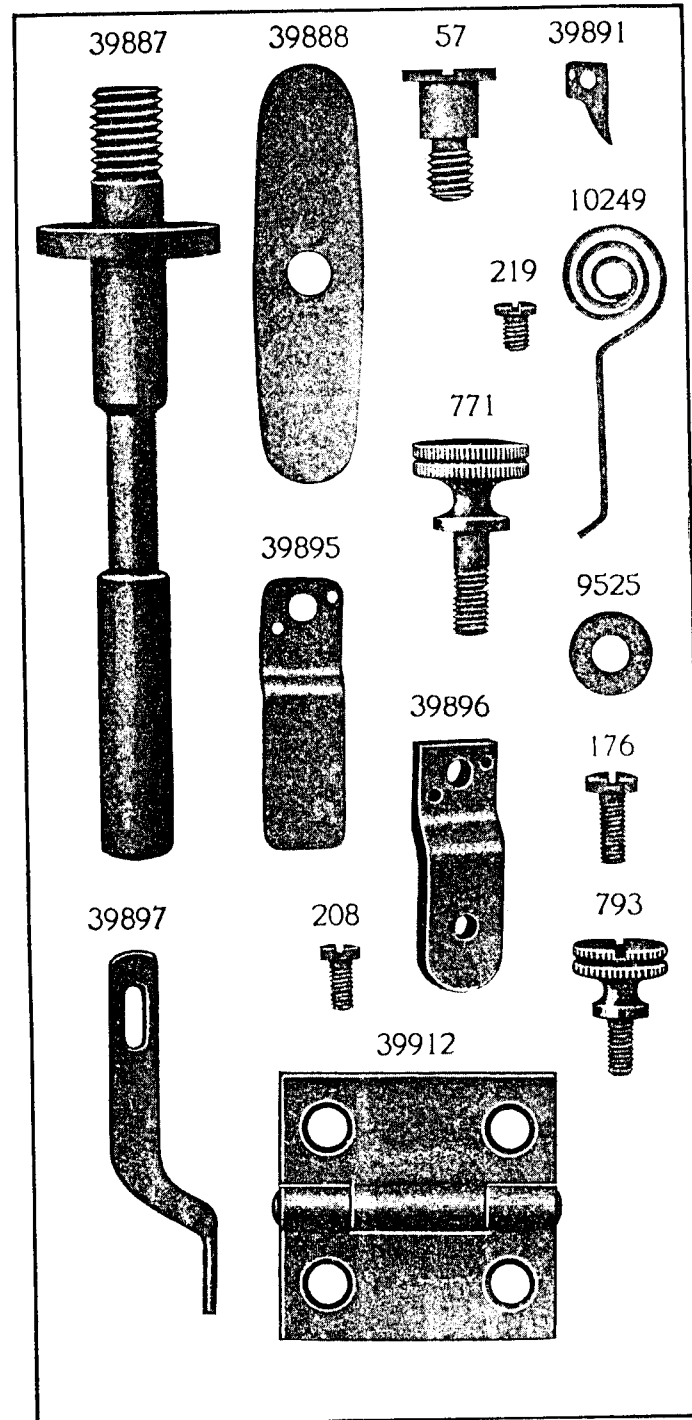
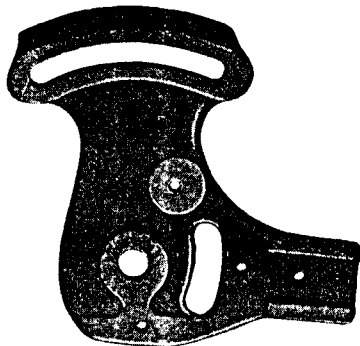


PLATE 4086—ONE-HALF SIZE

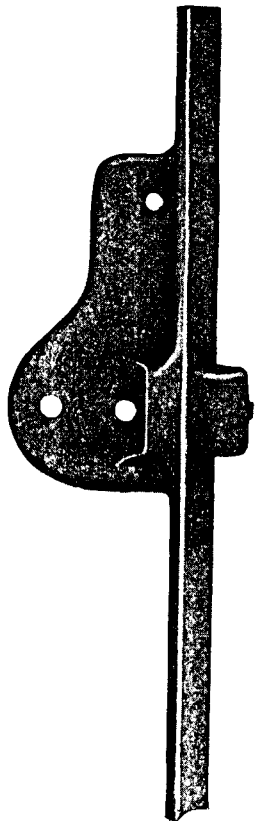
39890



39894



39892

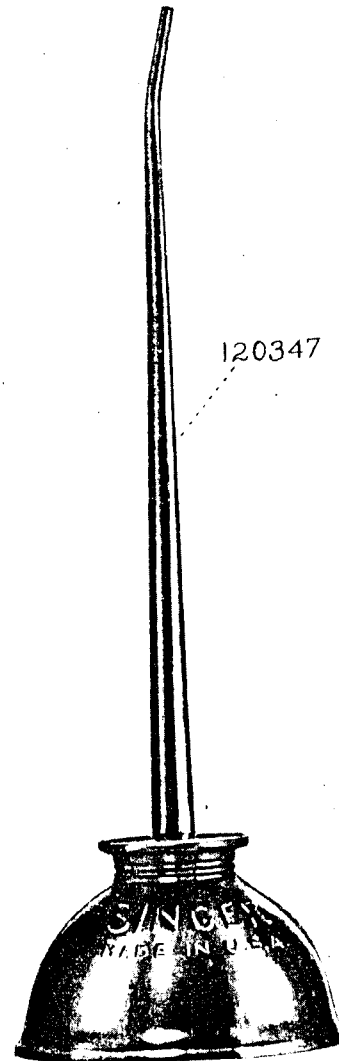


39893



PLATE 4104—ONE-HALF SIZE

120346



120347

From the library of: Diamond Needle Corp

PLATE 11658—FULL SIZE

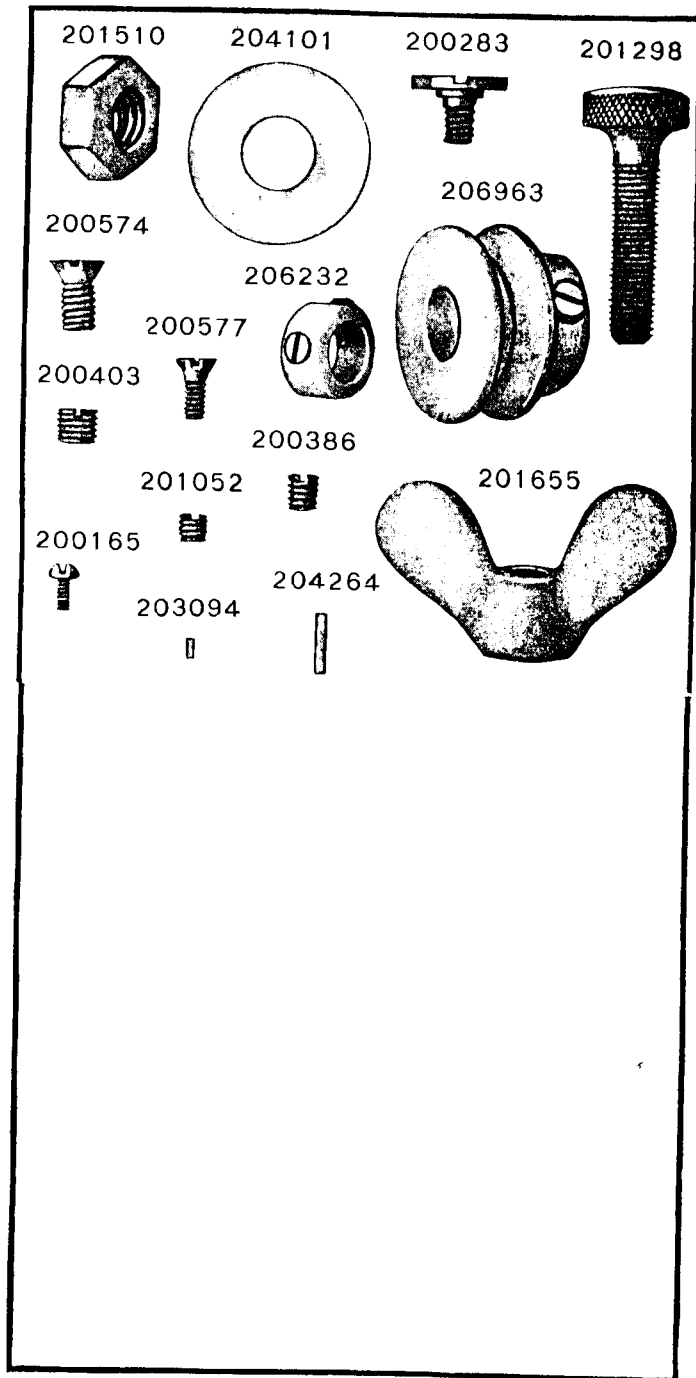


PLATE 14263—ONE-SIXTH SIZE

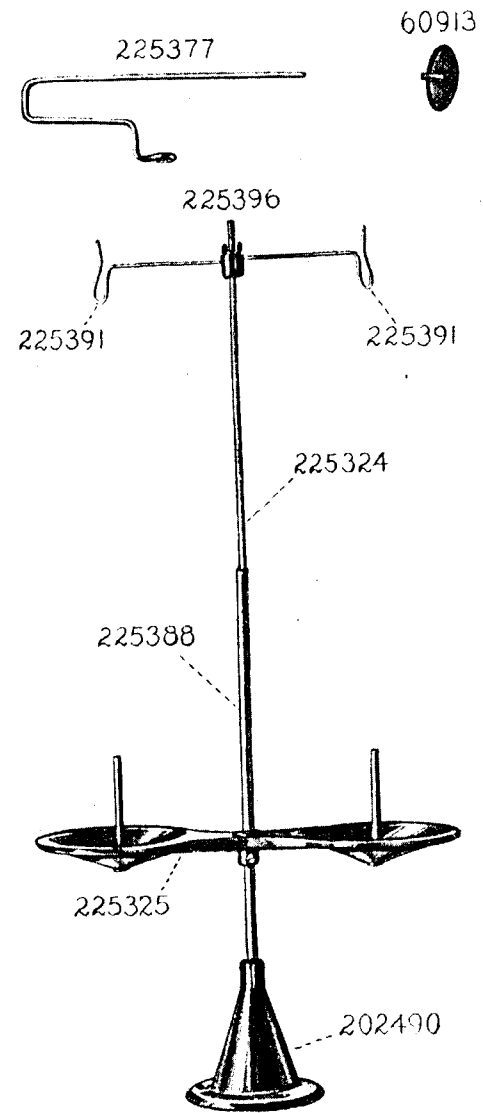


PLATE 14978—FULL SIZE

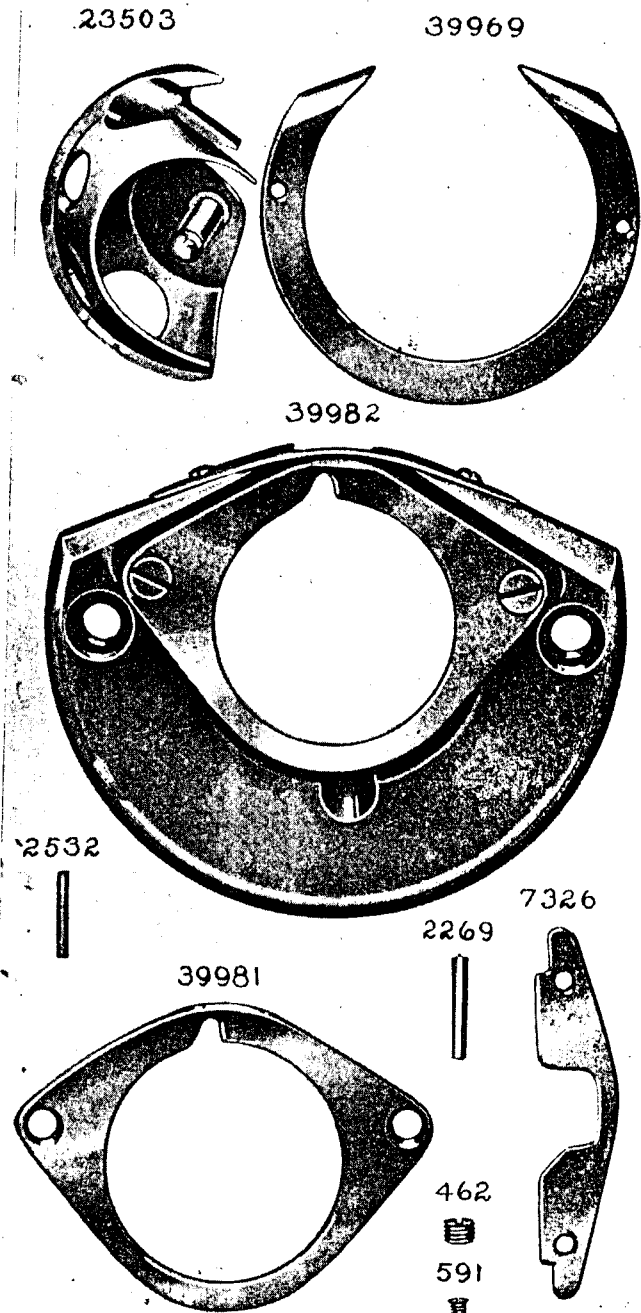


PLATE 14982—FULL SIZE

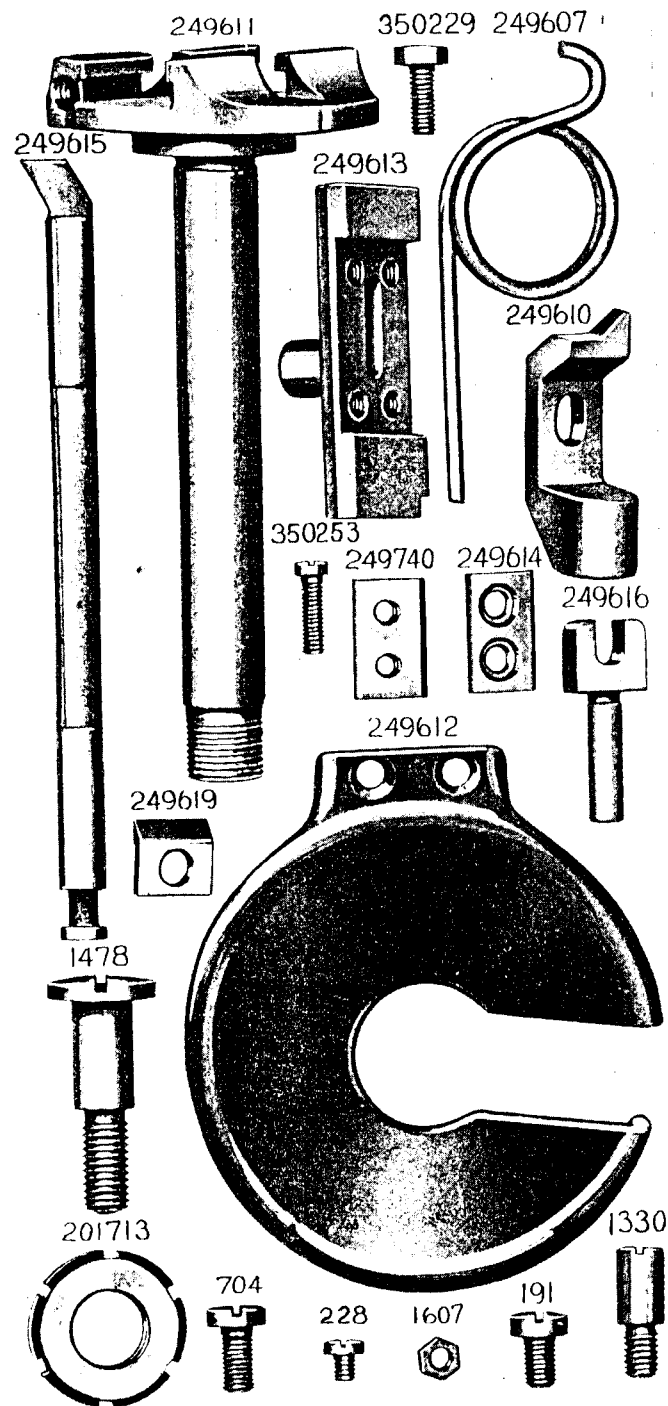




PLATE 14983—ONE-FOURTH SIZE

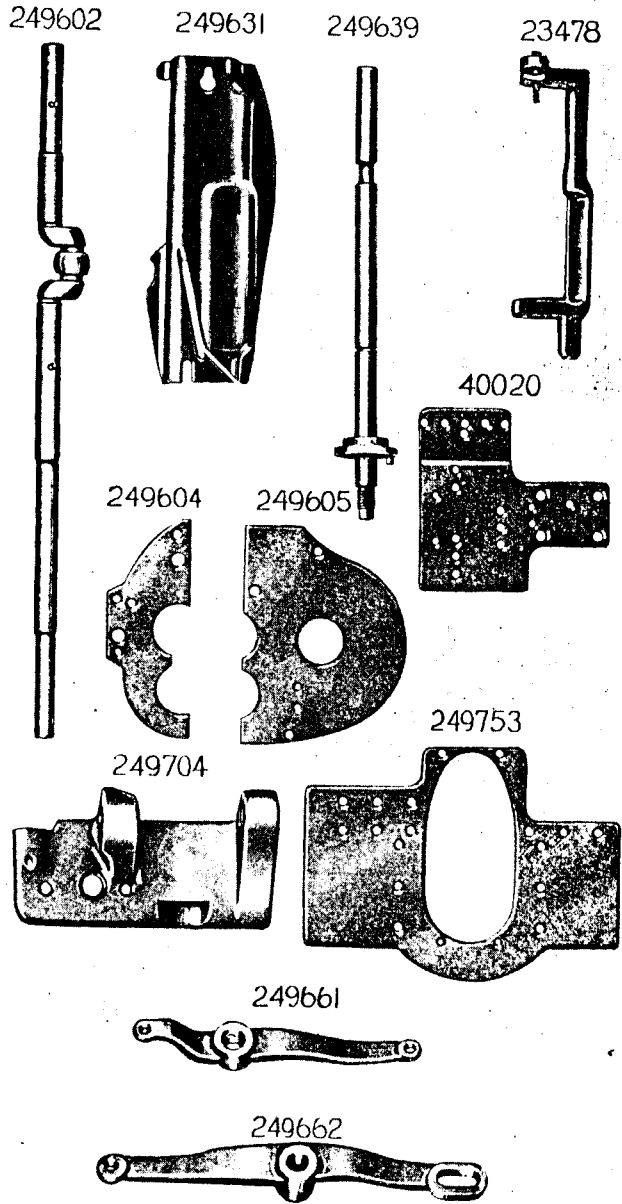


PLATE 14984—ONE-HALF SIZE

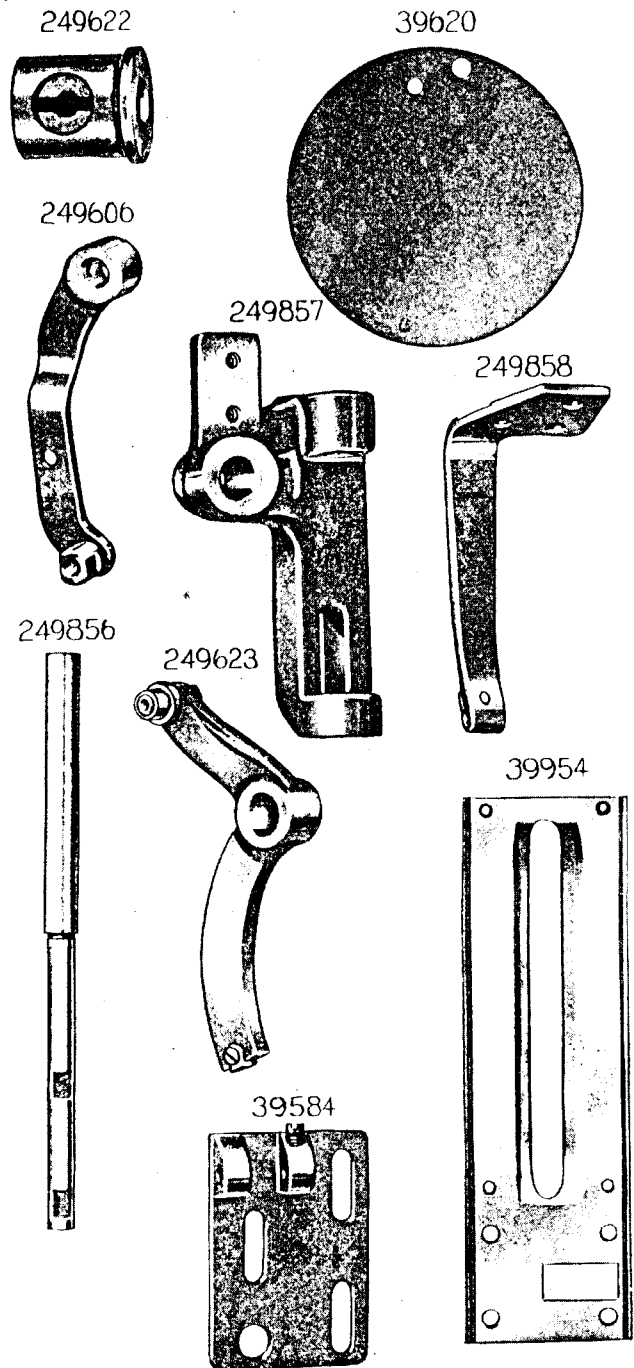


PLATE 14985—FULL SIZE

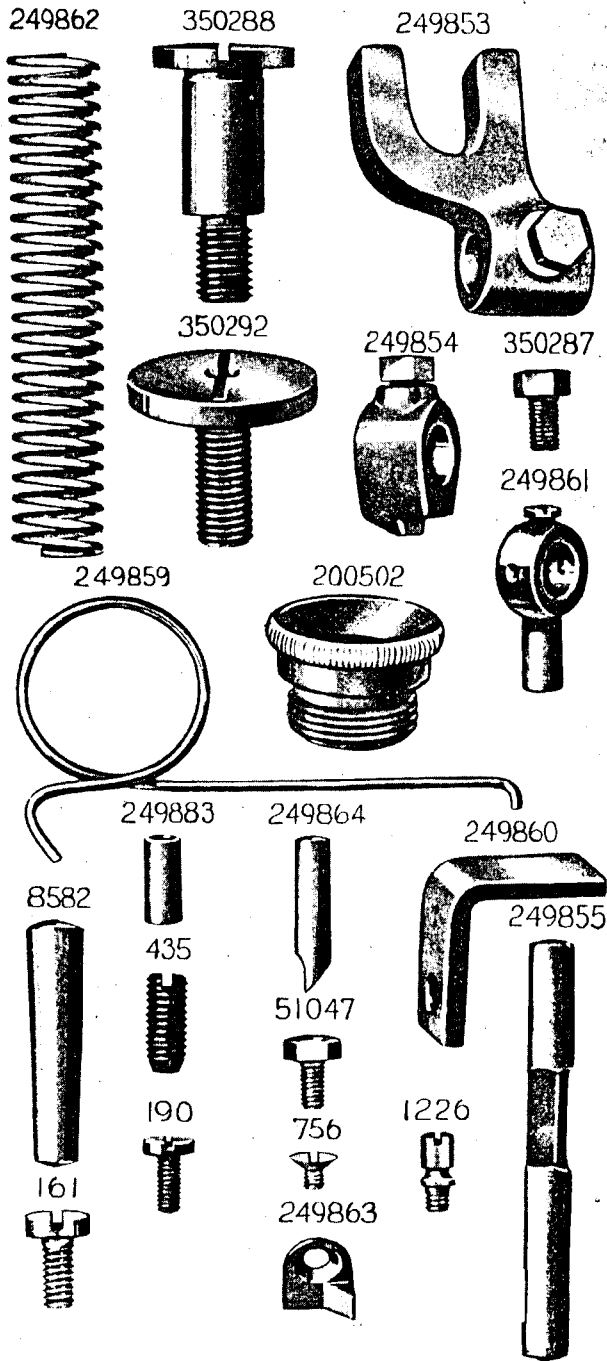
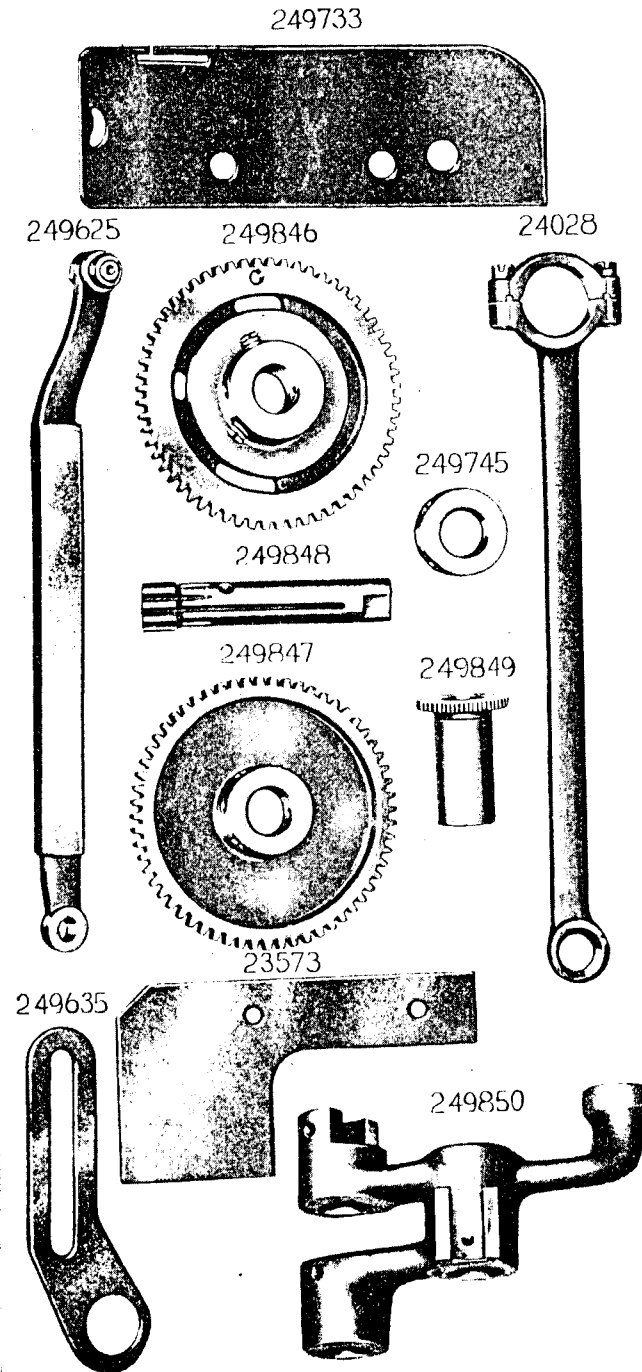


PLATE 14986—ONE-HALF SIZE



From the library of: Diamond Needle Corp

PLATE 14987—FULL SIZE

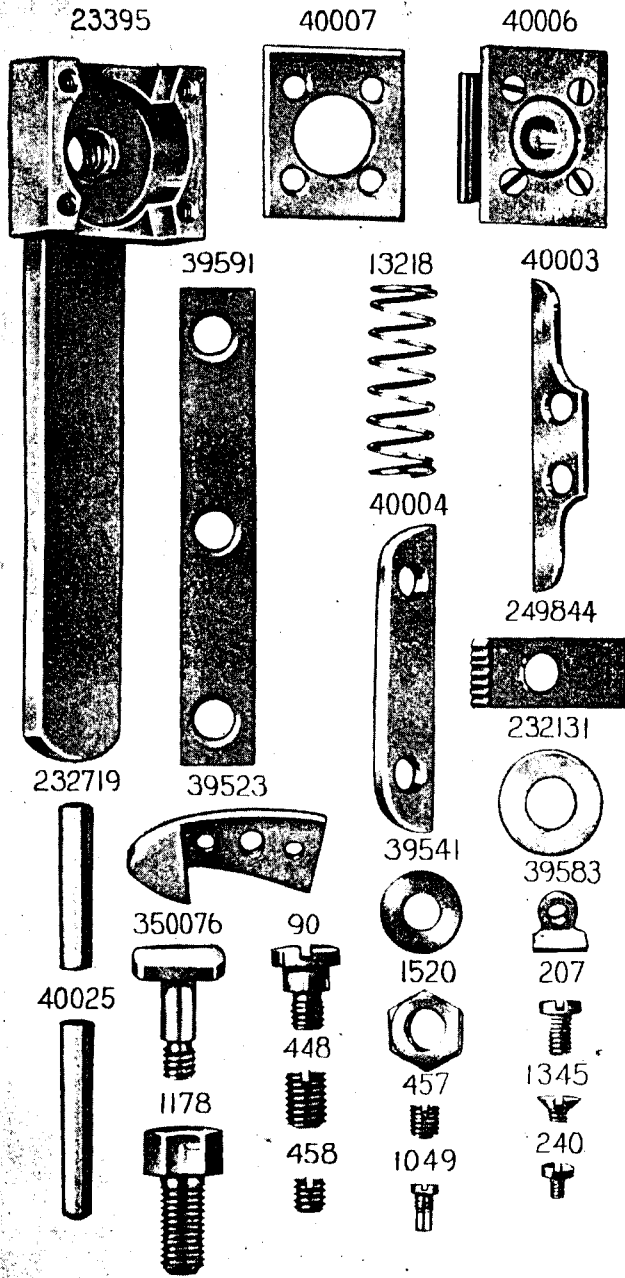
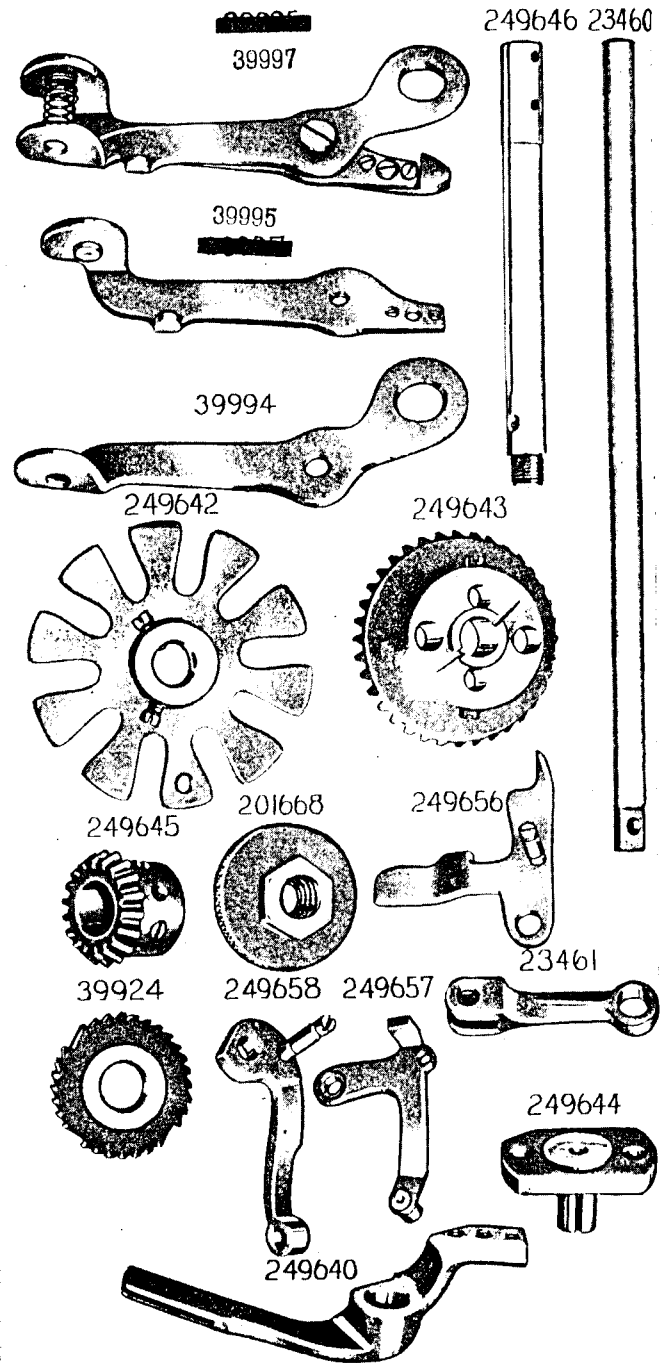


PLATE 14988—ONE-HALF SIZE



From the library of: Diamond Needle Corp

PLATE 14989—FULL SIZE

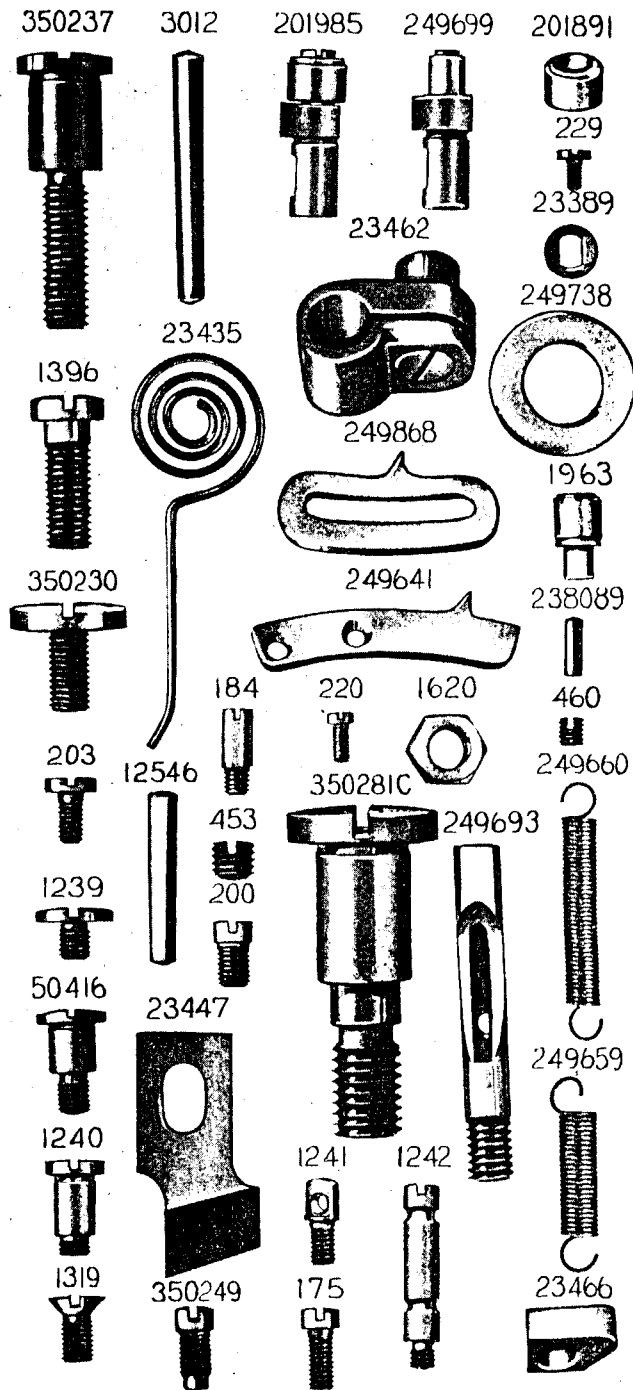
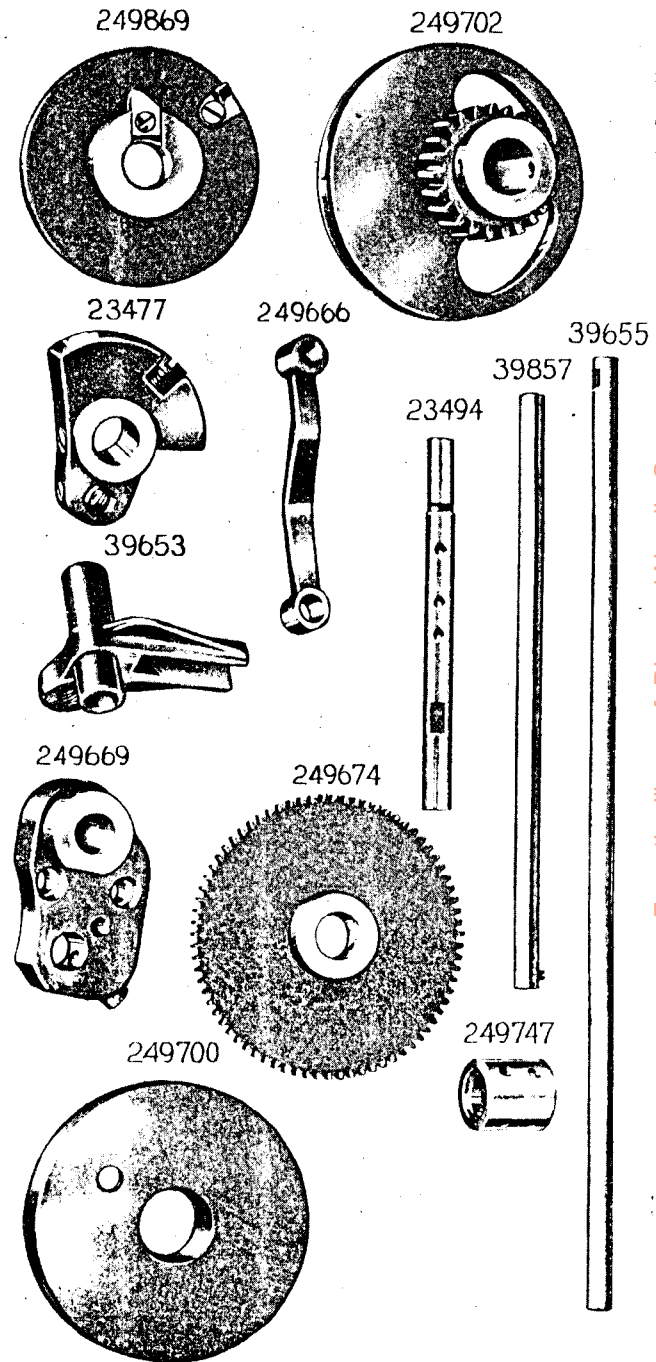


PLATE 14990—ONE-HALF SIZE



From the library of: Diamond Needle Corp



PLATE 14991—FULL SIZE

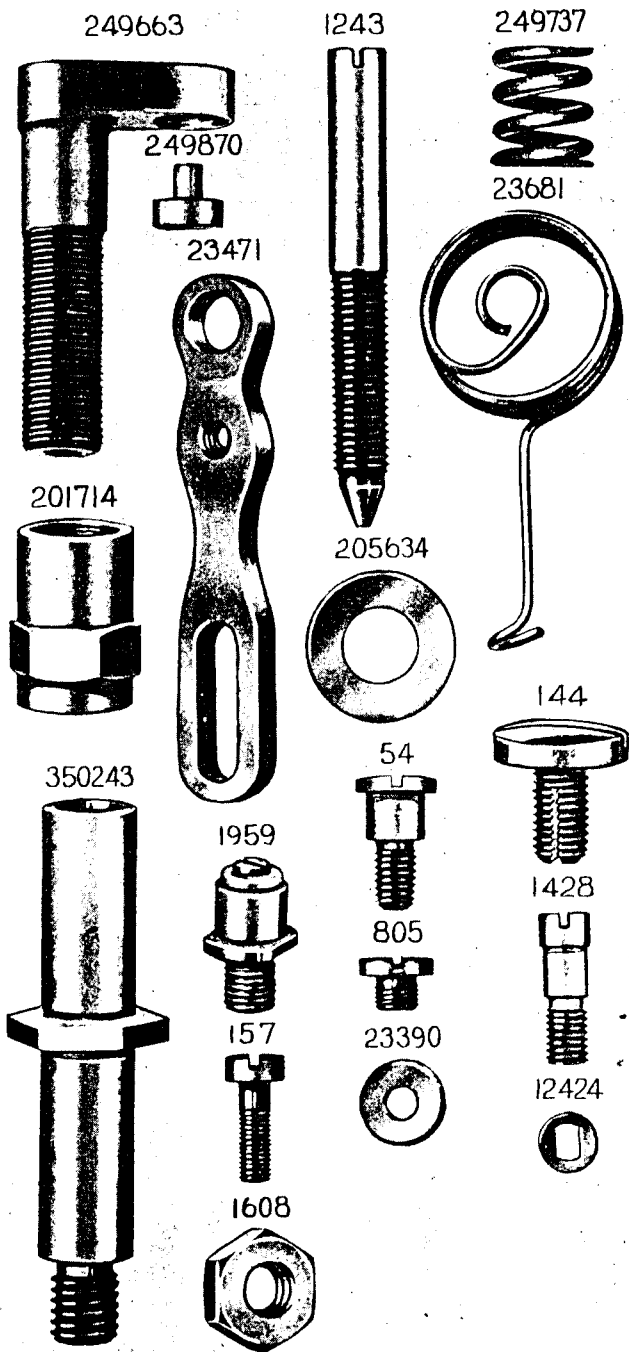
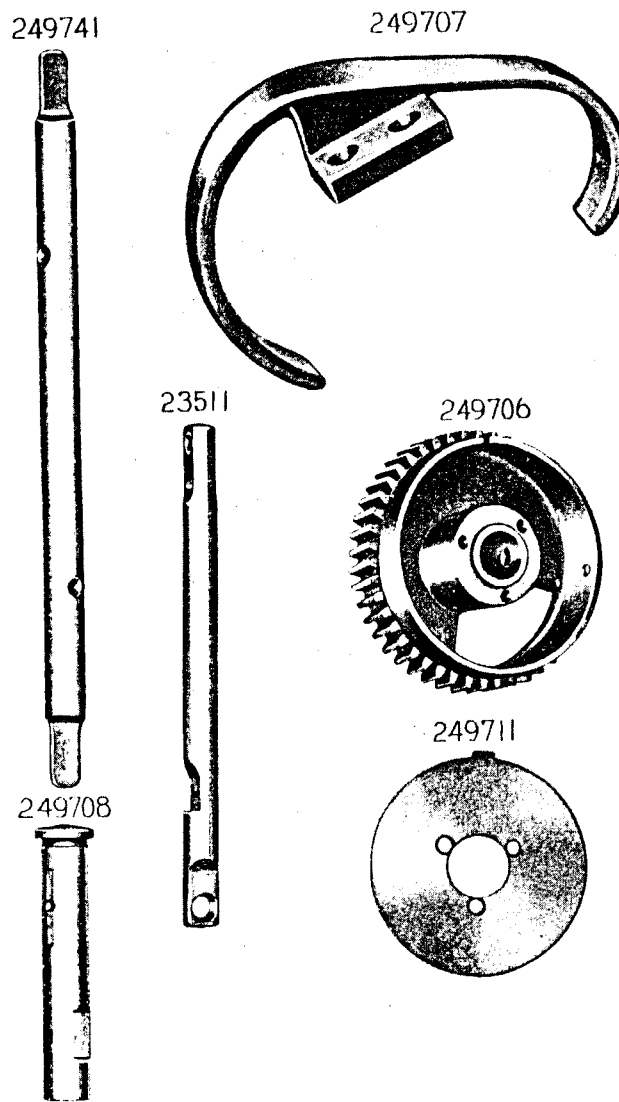


PLATE 14992—ONE-HALF SIZE



From the library of: Diamond Needle Corp

PLATE 14993—FULL SIZE

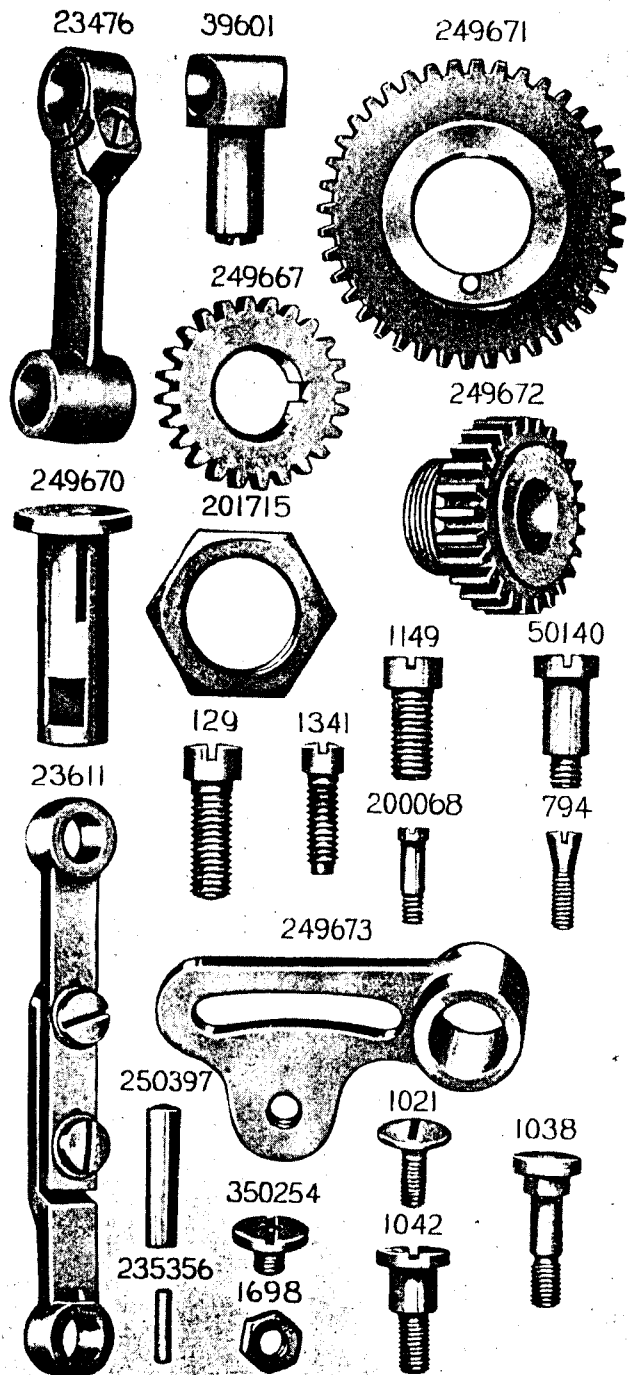


PLATE 14994—FULL SIZE

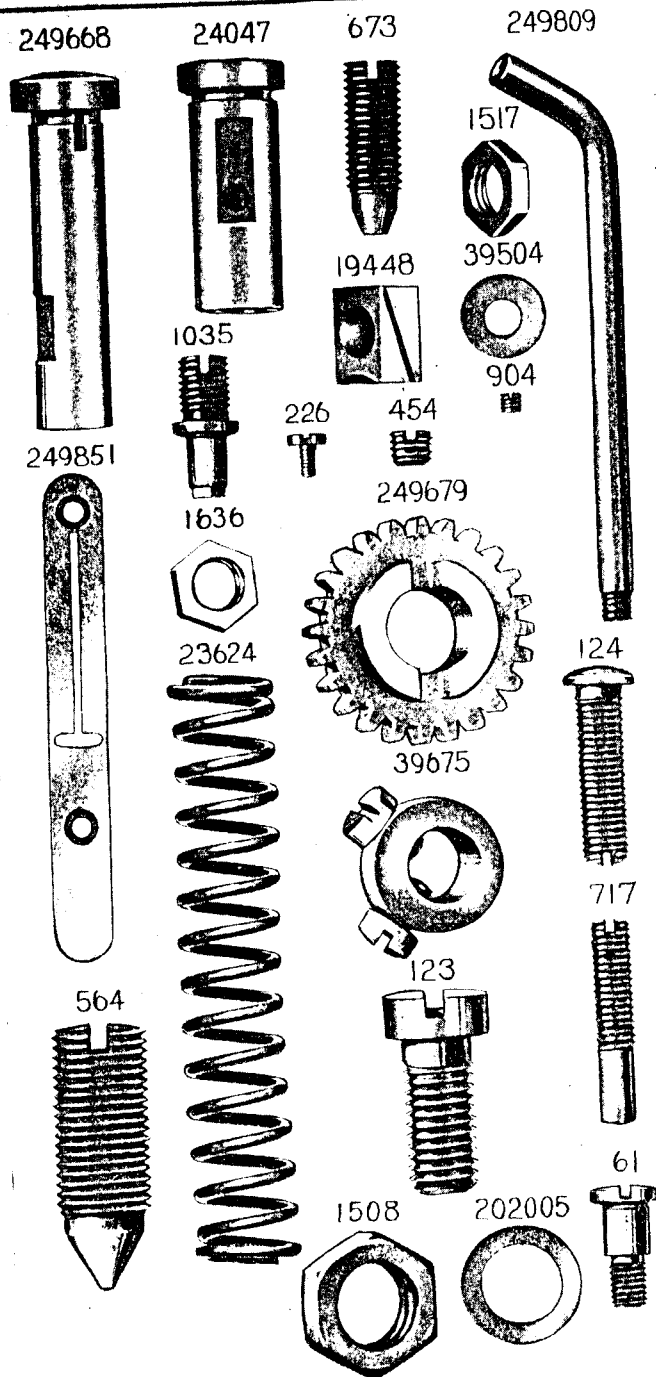
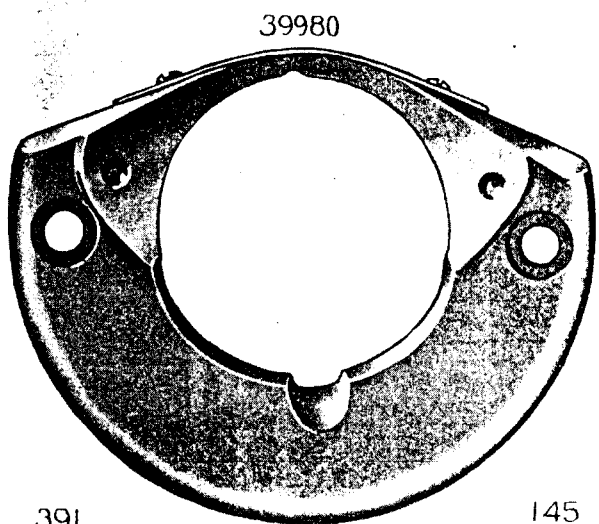


PLATE 14995—FULL SIZE



39980

391



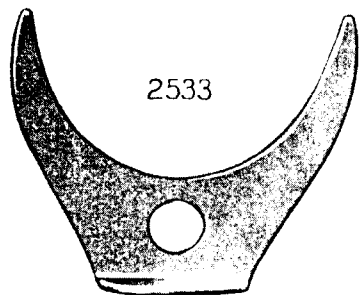
662



592



2523



2533

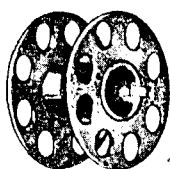
145



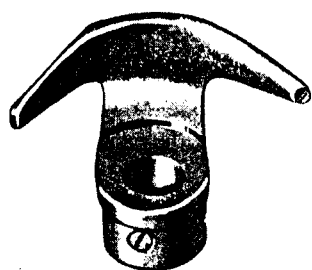
648



23500



23505



2974



2975



2973



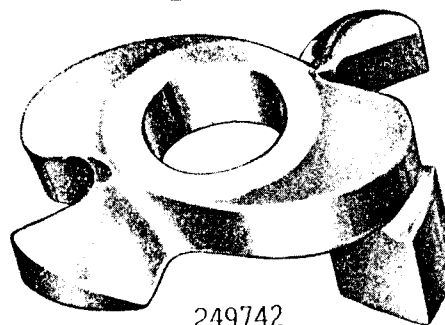
15140



PLATE 14996—FULL SIZE

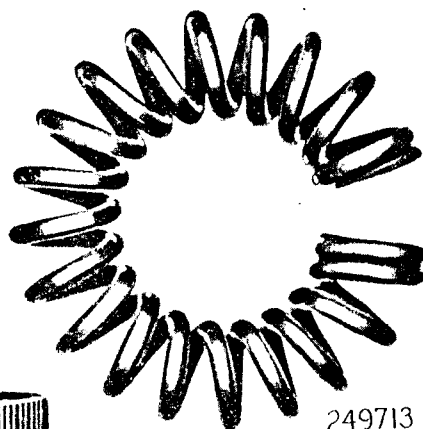


21651

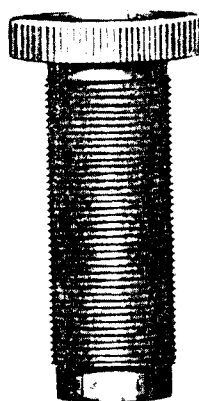


249705

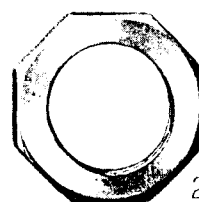
249742



913



1638



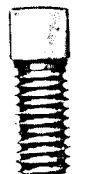
249713



871



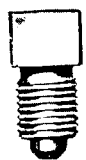
200522



201660



1070



249739



164



200108



From the library of: Diamond Needle Corp